



// FEATURES

- Benchtoper system for fume capture
- 3 standard sizes
- Alternative carbon filtration options

// CONSTRUCTION

- 1.2 and 2mm steel, fully welded
- Powder coated in RAL7035
- Stainless steel worksurface

// APPLICATIONS

Designed for fume extraction applications where limited space is available and fumes cannot be exhausted to atmosphere.

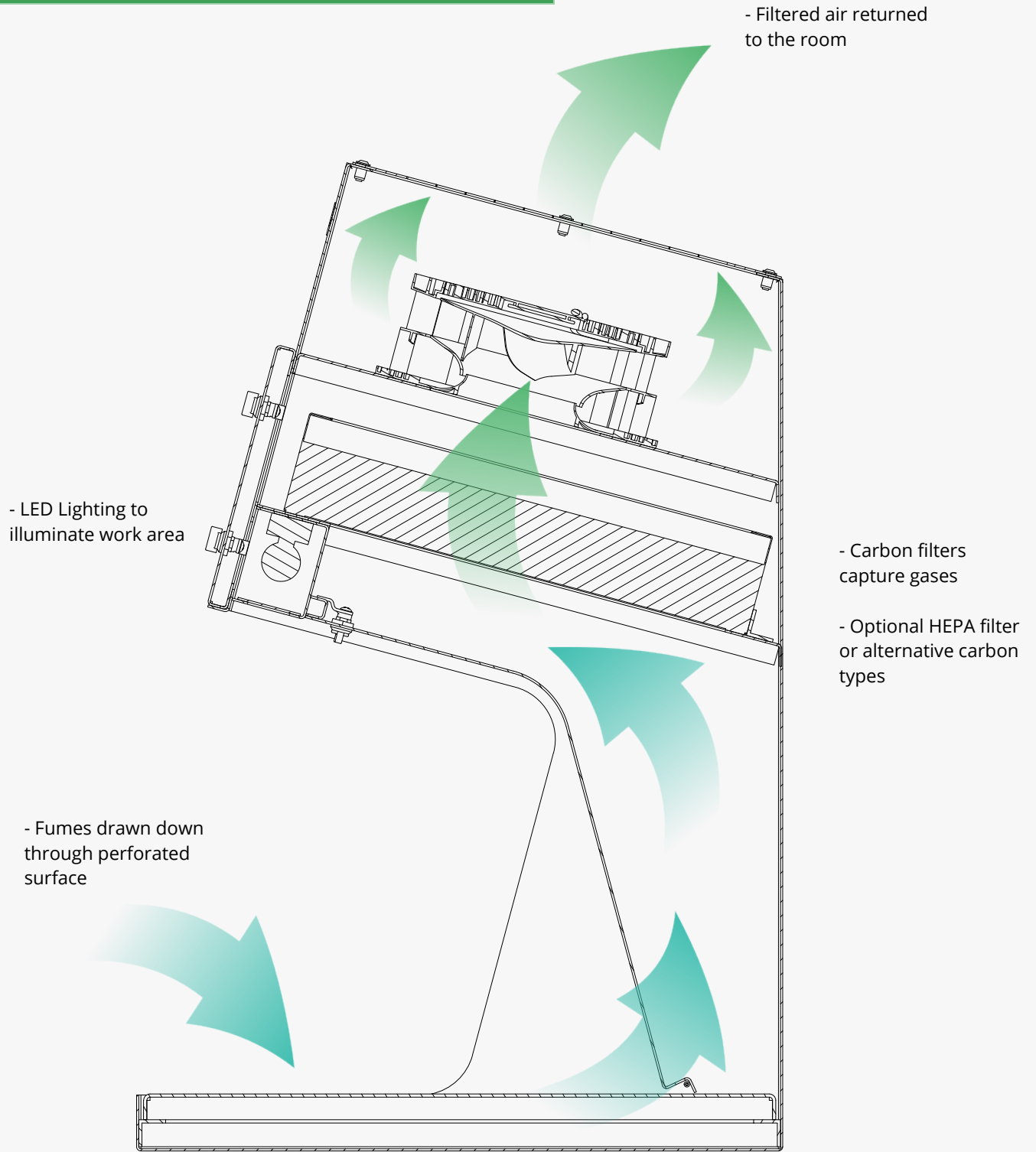


DOWN
DRAUGHT



FUME
EXTRACTION

HOW DF WORKS



FEATURES

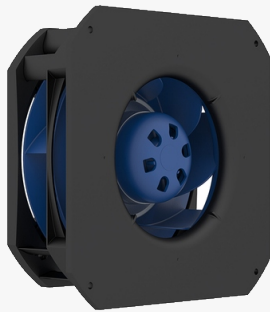
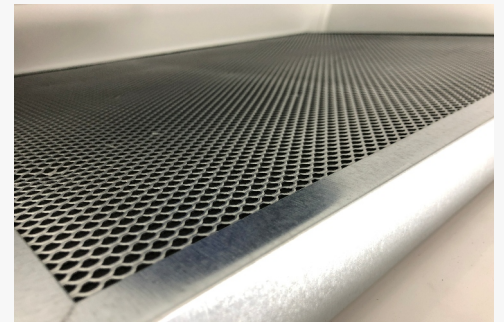


// THE COMPACT FUME EXTRACTION SOLUTION

Fume extraction and filtration without external ducting or replacement of workbenches.

// FILTER OPTIONS

Alternative carbon filtration options for difficult-to-capture fume.



// ENERGY EFFICIENT FANS

Quiet, low energy fans providing effective fume capture with minimal background noise.

// CONTROLS

Speed controlled as standard with pressure gauge to indicate filter condition or blockage.

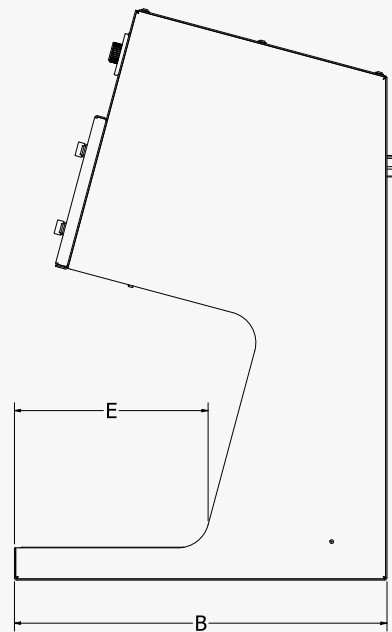
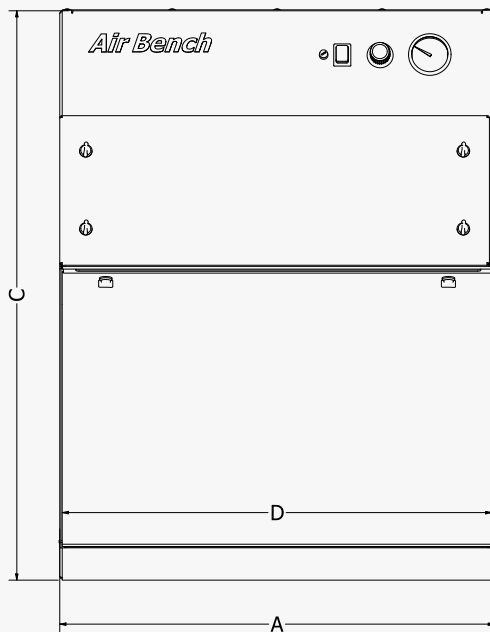
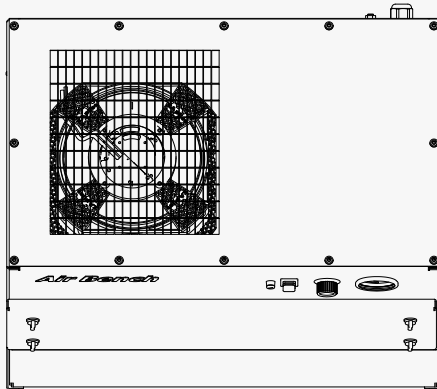


// SURFACE IN T304 or T316 STAINLESS

The DF range is supplied with optional surface configurations dependant on the fume to be captured; T304 stainless steel as standard with T316 or epoxy powder coated mild steel as options.



DIMENSIONS



// TECHNICAL DATA

MODEL	OVERALL			VENTILATED AREA		POWER kw	VOLUME m3/h
	WIDTH A	DEPTH B	HEIGHT C	WIDTH D	DEPTH E		
DF07	700	600	917	690	300	0.17	400
DF13	1300	600	917	1290	300	0.34	800
DF19	1900	600	917	1890	300	0.51	1200

SPECIFICATIONS

// FILTER OPTIONS

208EA	Standard activated carbon
ACU-L2	Museum Grade - SO2/SOX/NO2
ACMO-L2	Formaldehyde
ACX-L-2	NO2, NOx, SO2, SOx, VOC, Diesel
ACSG-L-2	Acid Gases
ACA-L-2	Ammonia and Alkaline

// GENERAL

POWER SUPPLY	240v/1ph	MOTOR	Backward Curved Centrifugal Fan with EC Motor
NOISE LEVEL	<60dBA at 1m	FINISH (STD)	White powder coat

// SEE ALSO

Carbon Filter Effectiveness