



## // FEATURES

- Integrated workbench with dust extraction system.
- Pulse-cleaned filter system for high dust volumes
- 3 standard sizes
- Various filtration options

## // CONSTRUCTION

- 2mm steel, fully welded
- Powder coated

## // APPLICATIONS

Designed for high volume dust extraction applications; complete with integral filter system with air-powered filter cleaning.

Typically for manual processes but can be integrated with other systems.



DOWN  
DRAUGHT



EC FAN  
TECHNOLOGY



DUST  
EXTRACTION



FUME  
EXTRACTION

## FEATURES



### // THE AIRBENCH FOR HIGH VOLUME DUSTS

AirBench RP is a heavy duty downdraught bench designed specifically for high volumes of non-explosive dusts.

### // FILTER OPTIONS

3 standard filtration options allow us to select the most appropriate solution for your dust issue.

A final H13 HEPA filter is fitted as standard in the RPL variant.



### // SIMPLE FILTER CLEANING

Filters are cleaned using compressed air; cleaning is triggered at the push of a button.

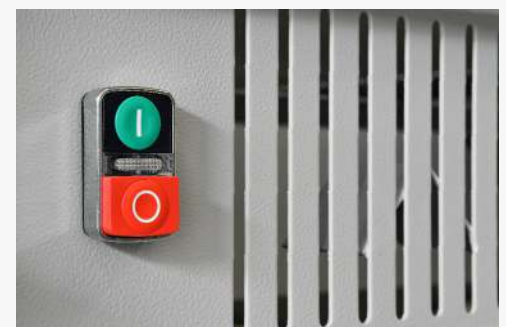
A pulse clean system removes the dust cake from each filter in turn, emptying the dust into removable trays for disposal



### // CONTROLS

Supplied as standard with a simple push-button start/stop system. Filter cleaning is operated using the same 2-button system. RP can be also supplied with timed run or centrally controlled, daisy chained systems.

Speed control is available as a simple option. Every unit is fitted with filter condition monitoring via a pressure loss gauge.



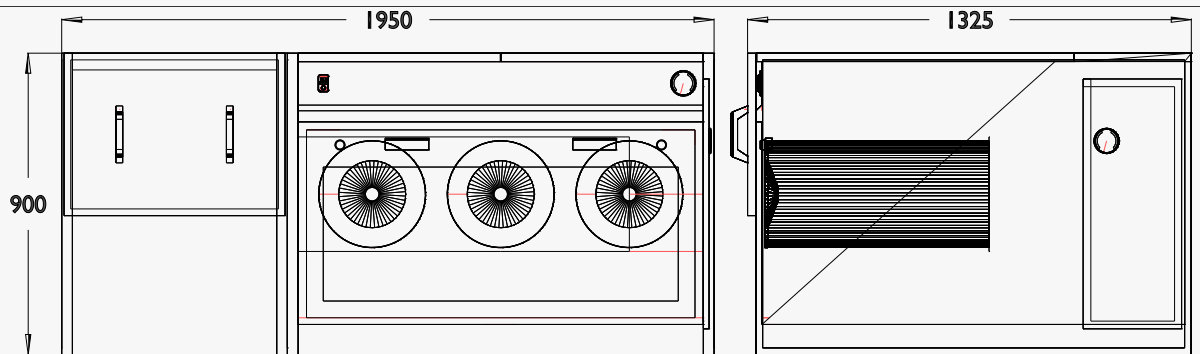
### // LARGE VENTILATED AREA

RP types all provide a ventilated area of 1200 x 900mm, allowing operators to work across a large part of the bench surface and remain protected.

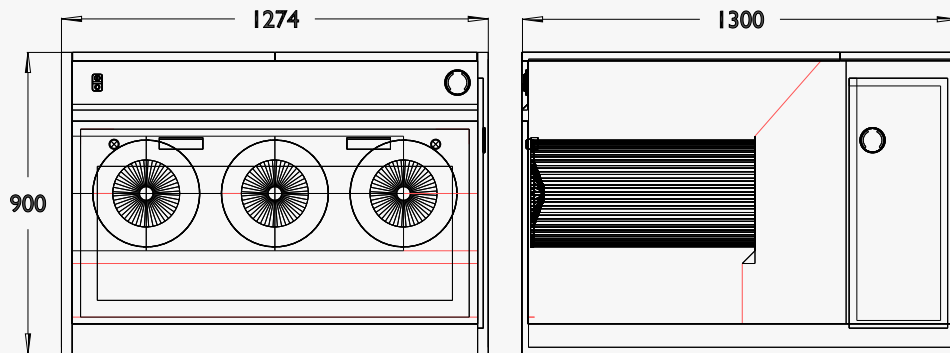


## DIMENSIONS

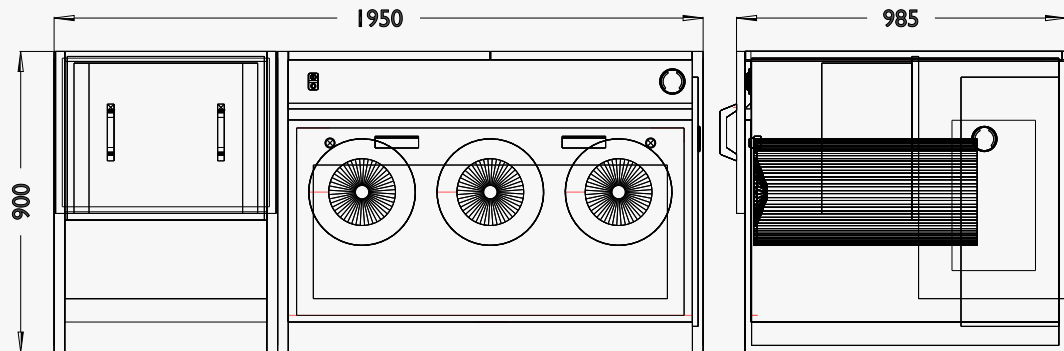
### // RPL1212



### // RP1212



### // RP1920



## // TECHNICAL DATA

MODEL	OVERALL			VENTILATED AREA		POWER kw	VOLUME @100Pa
	WIDTH A	DEPTH B	HEIGHT C	WIDTH D	DEPTH E		
RPL1212	1950	1300	900	1210	956	1.25	4250
RP1212	1274	1300	900	1210	956	1.25	4250
RP1920	1950	985	900	1210	956	1.25	4250

## SPECIFICATIONS

### // FILTER OPTIONS

FILTER CLASSIFICATION	FILTERS		FITTED TO UNITS
	PRE	FINAL	
M General Dusts		F7	RP1212, RP1920
ML Fine/Hazardous Dusts	F7	H13	RPL1212

### // GENERAL

<b>POWER SUPPLY</b>	240v/1ph	<b>MOTOR</b>	Backward Curved Centrifugal Fan with EC Motor
<b>AIR SUPPLY</b>	Clean, dry air at 5bar	<b>FINISH (STD)</b>	Textured grey powder coat
<b>NOISE LEVEL</b>	<70dBA at 1m (excludes pulse)		

### // OPTIONS

Speed control	Castors
Airline interlink	Enclosures
Timed run	Racking
Height adjustment	Alternative power supply (110v / 415v)
Special filter configurations	See <a href="http://airbench.com/accessories">airbench.com/accessories</a>

### // SEE ALSO

Carbon Filter Effectiveness

Accessories