



SHREDDING + COMPRESSING

A collection of industrial shredding and crushing machines in a dark setting. The machines are primarily orange and grey. One machine in the center has the 'WEMA' logo on its side. Another machine on the right shows a close-up of a metal shredding drum. Orange lines are drawn over the machines, highlighting specific components and mechanisms.

**○ HORIZONTAL SHREDDERS
MULTI-SHAFT SHREDDERS
GRANULATORS
CRUSHERS**

The background is a solid red color overlaid with a complex, abstract pattern of thin white lines. These lines form various geometric shapes, including rectangles, triangles, and irregular polygons, some of which are nested or overlapping. The overall effect is a dense, architectural-looking grid that suggests a modern or industrial aesthetic.

CON

TENT

Page 05

KEY FACTS

Page 06

MISSION

Page 11

APPLICATIONS

MACHINES

Page 16

Horizontal shredders

Page 26

Multi-shaft shredders

Page 42

Granulators

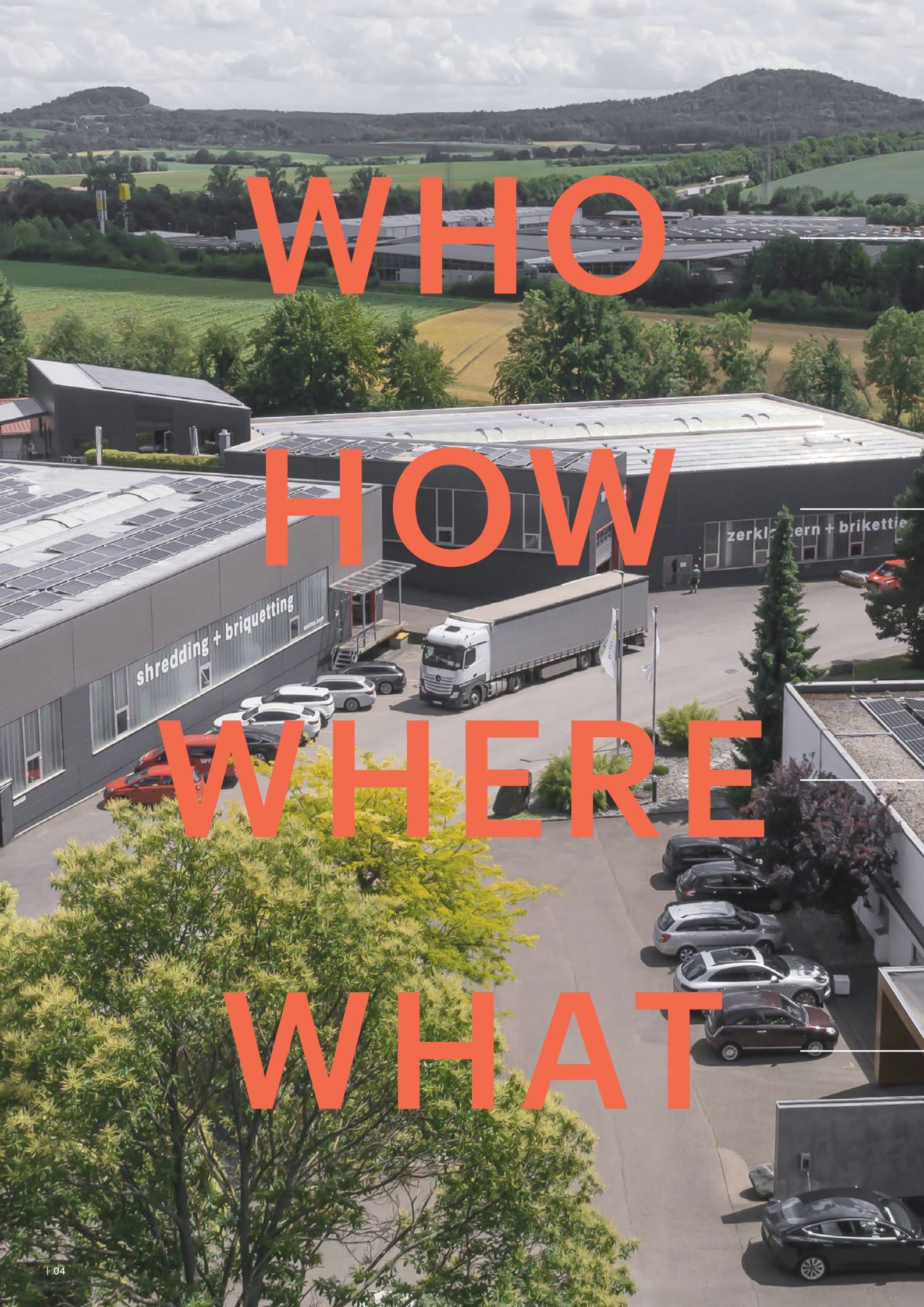
Page 52

Crushers

Page 62

SERVICE



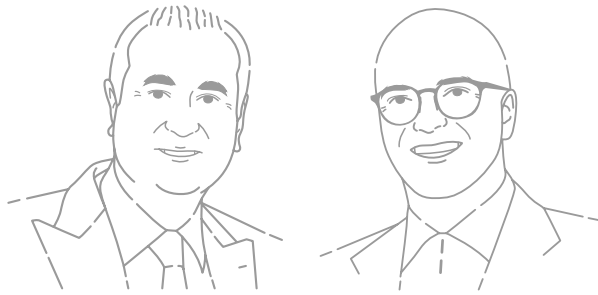


WHO

HOW

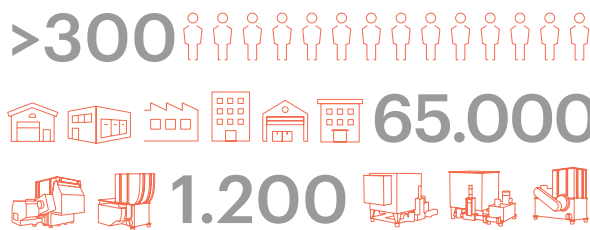
WHERE

WHAT



The family business.

The young entrepreneur and visionary, Peter Rössler, recognized the potential of waste recycling early on and founded Weinsberg Maschinenfabrik – or WEIMA for short – in 1980. After the turn of the millennium, Martin Friz succeeded in bringing about the generation shift and has now been running the business since 2003.



Global leader.

WEIMA produces more than 1,200 shredders, briquetters and drainage presses per year on a production area of approx. 65,000 sqm with more than 300 employees worldwide. Since its foundation, about 40,000 machines have been delivered worldwide.



Built in Germany, made for the world.

Thanks to the early international orientation, WEIMA is represented in all important markets. Sales and service locations are located in Europe, the USA, China and India.

1. Ilsfeld | HQ (DE)
2. Annaburg | Production (DE)
3. Abstatt | Production (DE)
4. Fort Mill | Sales & Service (US)
5. Yantai | Sales & Service (CN)
6. Ahmedabad | Sales & Service (IN)



From trash to treasure.

With WEIMA machines there are (almost) no limits. For over 40 years, we have been shredding and compressing production waste from a variety of industries, including plastics, wood, paper, metal, packaging, waste and biomass.



WE MAKE IT SMALL.

WEIMA SHREDDERS ENSURE THAT EVERYTHING THAT GOES IN COMES OUT IN SUCH
A WAY THAT YOU ACHIEVE THE MAXIMUM ECONOMIC BENEFIT, WHETHER FOR SORTING,
CLEANING, TRANSPORTING OR FURTHER PROCESSING.



REDUCE. REUSE. RECYCLE.

WEIMA stands for active environmental protection and for robust shredding technology that's "Made in Germany". Our machines lay the foundation for a resource-saving future and are at the beginning of many recycling processes.



AN APPRECIATION FOR WASTE MATERIALS

As a recycling specialist, we see it as our duty to contribute to a clean planet. WEIMA shredders, granulators, briquetting and drainage presses are thus becoming ever more sophisticated, productive, and above all – energy-efficient.



SUSTAINABLE FOR INDUSTRY AND TRADE

The wide selection of machines and options gives WEIMA a decisive advantage: instead of one-size-fits-all solutions, we work with our customers to develop the right machine or system solution for each waste task.



DID YOU KNOW?

The Destroy Responsibly™ program, active since 2009, makes trade shows and other events more environmentally friendly. A fully functional shredding line recycles waste where it is generated: directly on the event site.



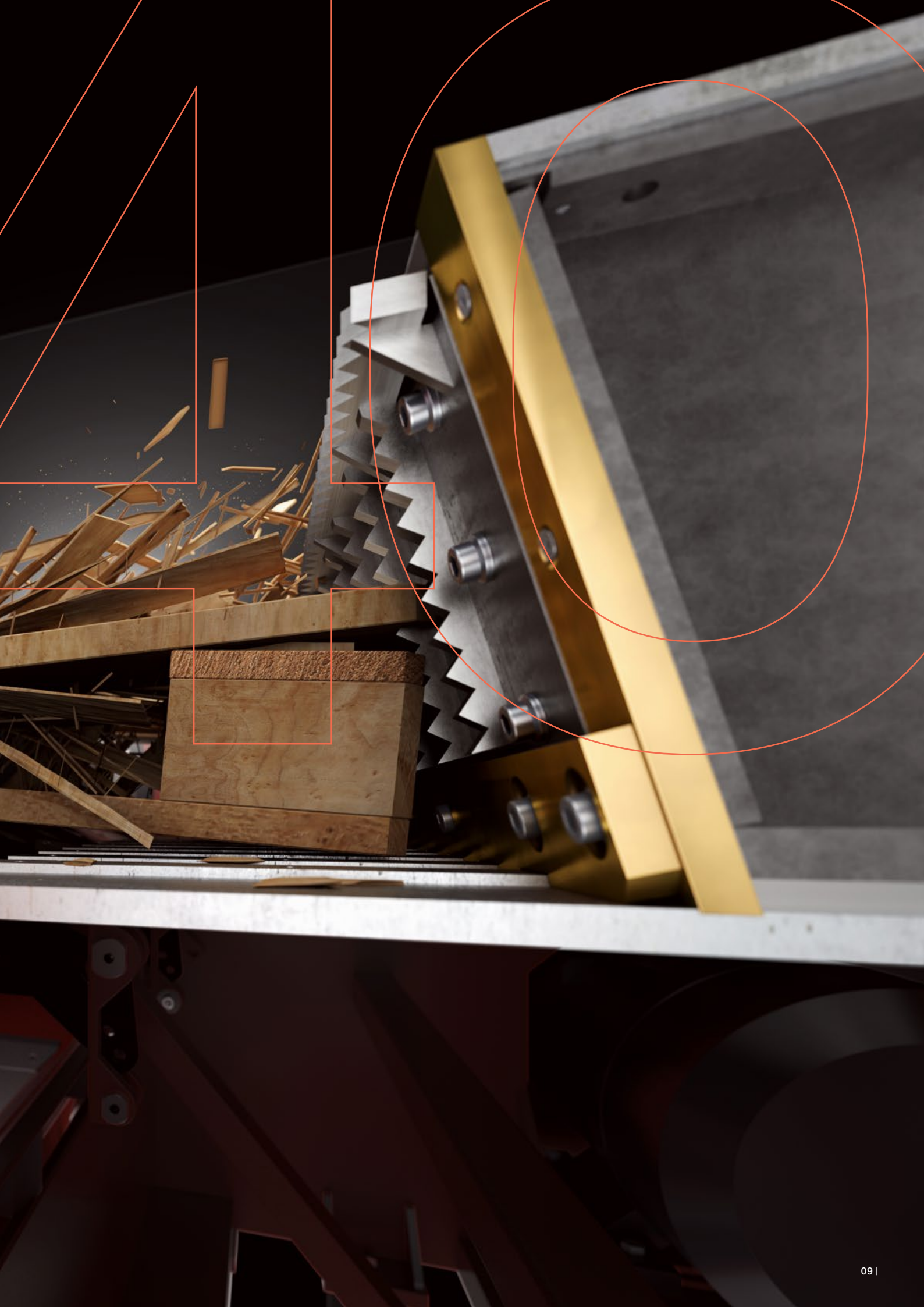
[Learn more](#)

SHREDDING TECHNOLOGY MADE IN GERMANY

At WEIMA you get everything from a single source: planning, design, machine, control cabinet, control, software, conveyor technology, support, maintenance, wear parts and spare parts. We make all this and much more possible with

40 YEARS OF RECYCLING KNOW-HOW.





S

H

R

E

D

D

I

N

G

APPLICATIONS SHREDDING

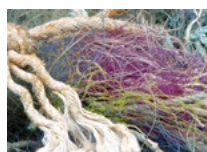


Plastics

With many thousands of plastic shredders delivered, there are hardly any applications that we have not already processed. These include classic items such as purge, crates, pallets, pipes, containers, molded parts, and post-consumer waste such as PET bottles or packaging. But also particularly tear-resistant materials such as rubber or films made of BOPP, as well as fabrics and fibers made of aramid, Kevlar or carbon.

“With the high volumes of plastic waste in the world, sustainable disposal concepts are particularly important, and shredding is the foundation for this.”

*Gunter Schippers,
Business Development | Plastics at WEIMA*



APPLICATIONS SHREDDING



Wood



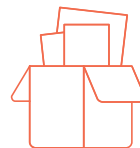
If you want to generate energy from your waste in an environmentally friendly way, you can't do without wood as a raw material. The wood waste, which is shredded into chips, can be used for direct heat generation in wood burning ovens or for the production of briquettes.

Typical applications are all kinds of hard and soft woods, old wood, OSB and MDF scraps, veneer, plywood, stairs, doors, and pallets. And don't worry. Their nails and screws are simply shredded as well. Later they can be conveniently separated by means of a magnet.



"The first WEIMA shredders of the 1980s were used for wood applications. Since then, a lot has happened in technical terms. We have now also become an expert for the corresponding conveying technology."

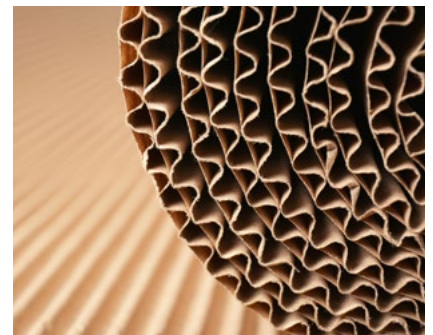
*Fred Haller,
Business Development | Wood at WEIMA*



Paper and cardboard



Alongside metal and plastic, pulp is a key pioneer of recycling – and it's more important than ever. In times of booming online trade, the sustainable disposal of corrugated cardboard is becoming more and more important. The most common applications include waste paper, documents, paper rolls, cardboard, filter paper, labels, books, packaging, and cores.





50 Tons

This is the throughput achieved by a WEIMA single-shaft shredder in the production of high-quality refuse-derived fuel.



Waste and substitute fuel



WEIMA is a full-range supplier for the single-stage as well as multi-stage processing of all types of waste.

Robustly designed pre-shredders and secondary shredders effortlessly shred industrial and commercial waste, municipal waste, as well as bulky and household waste. The output material is ideal to produce high-calorific refuse-derived fuel (RDF).



Metal

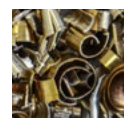
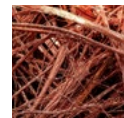


DID YOU KNOW?

In Germany, the recycling rate for aluminum beverage cans is a whopping 99%.

Before bulky metal chips, milling waste, foil, cans and punching waste can be processed further, they usually have to be shredded to a homogeneous material size.

This works best with light metals such as aluminum or magnesium, but also with copper, brass and even smaller saw or milling scraps from steel.



MACHINE PORTFOLIO SHREDDERS

When it comes to diversity, no one can beat us. With approx. 1,200 machine solutions delivered per year, we rely on a comprehensive shredding portfolio consisting of single-shaft shredders, multi-shaft shredders, granulators and primary crushers. We always have one goal in mind: to build the right machine for our customer.



**ONE SIZE FITS ALL?
OFF-THE-SHELF MACHINES?
NOT AT WEIMA.**



HORIZONTAL SHREDDERS

○ Compact powerhouses for long materials with vibrating conveyor or inclined infeed



WLH 600

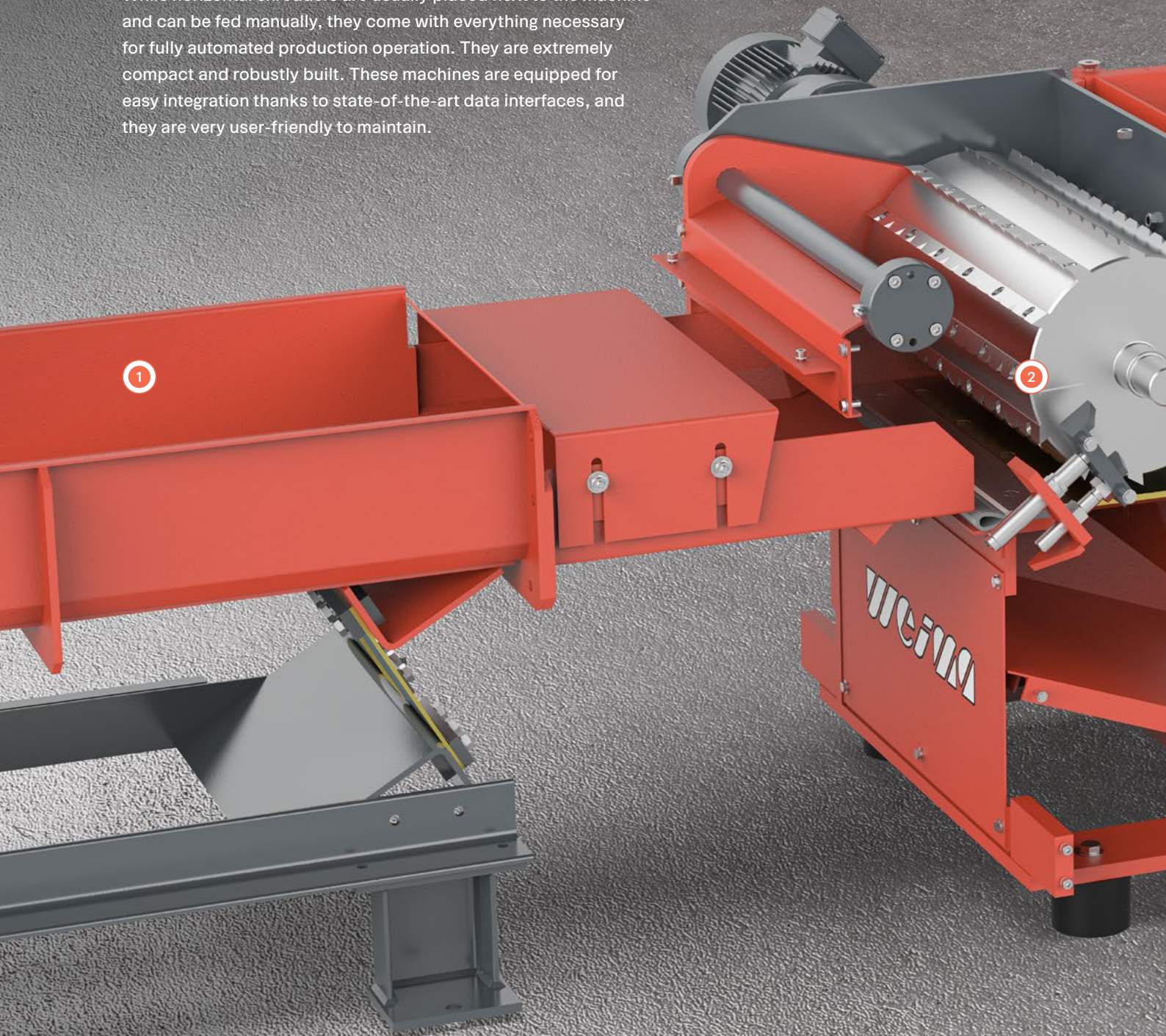


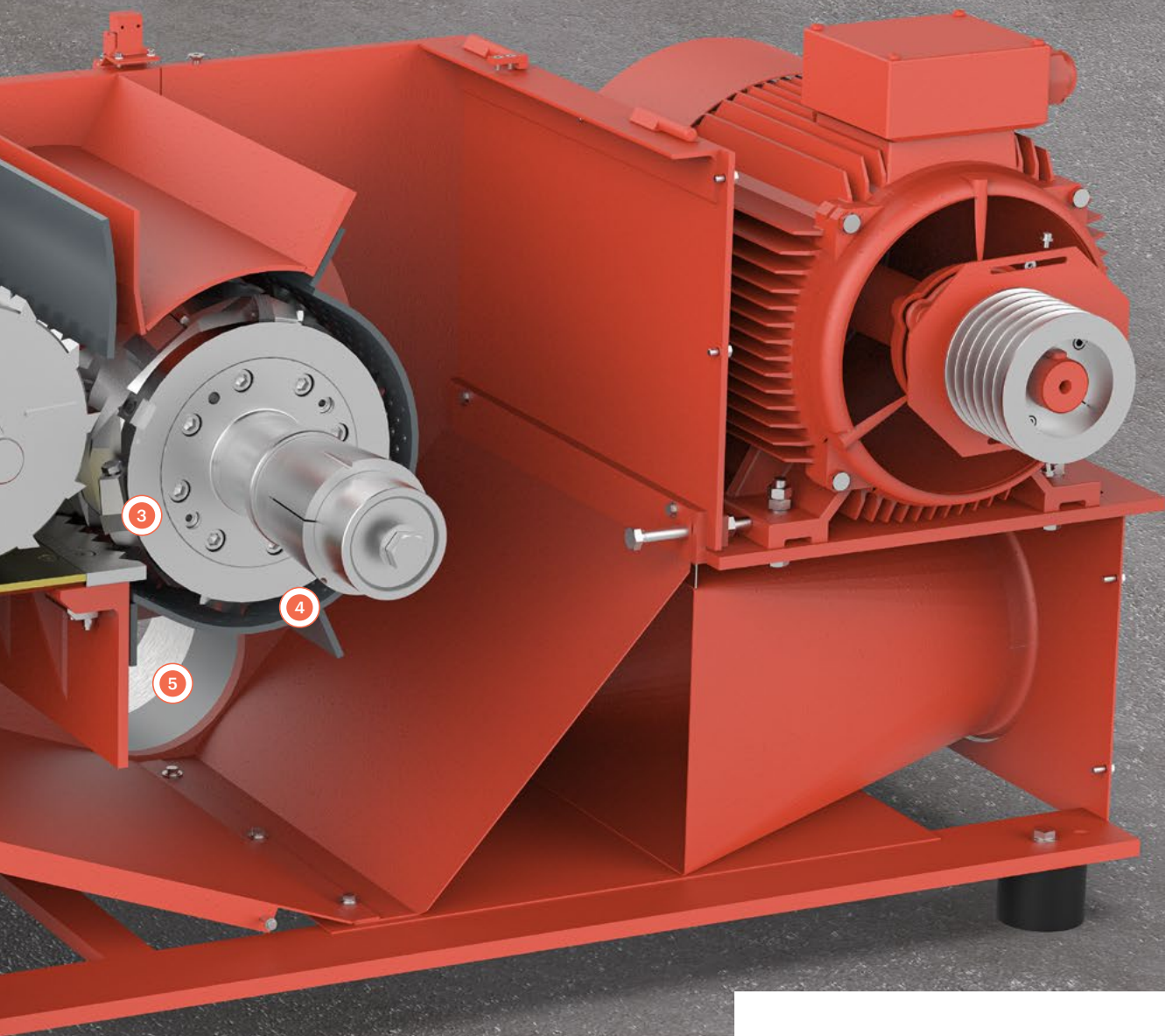
Beaver 400

OPERATING PRINCIPLE HORIZONTAL SHREDDERS

The biggest difference between classic shredders and horizontal shredders is the material infeed. Instead of a hydraulic ram, an extra-long vibrating conveyor is used - with a decisive advantage: It is ideal for feeding particularly long waste such as strips, battens, squared timber, profiles, pipe material, or other linear waste.

While horizontal shredders are usually placed next to the machine and can be fed manually, they come with everything necessary for fully automated production operation. They are extremely compact and robustly built. These machines are equipped for easy integration thanks to state-of-the-art data interfaces, and they are very user-friendly to maintain.





- 1 Feeding of the material via inclined infeed (Beaver) or vibrating conveyor
- 2 Feeding of the material to the rotor by means of an infeed roller
- 3 Size reduction with rotor and counter knife
- 4 Definition of particle size via screen
- 5 Discharge of the shredded material by suction or screw auger

TECHNICAL HIGHLIGHTS



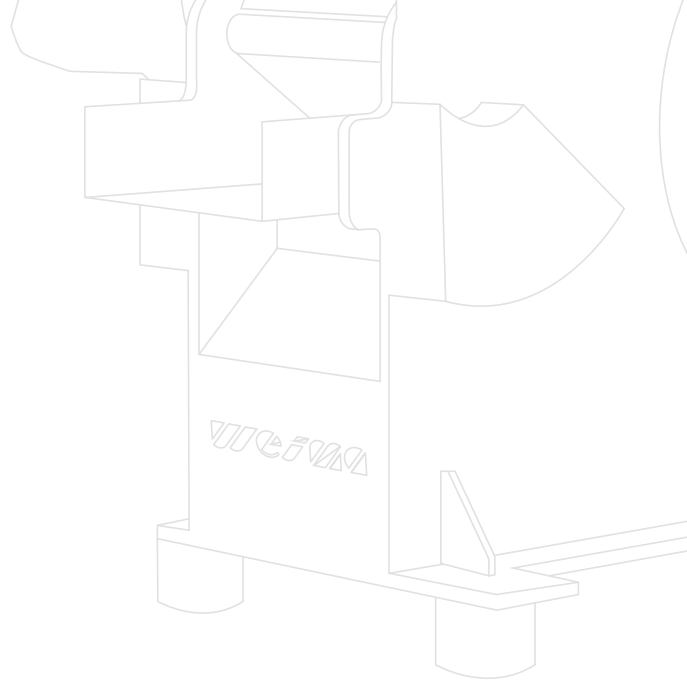
Optimal shredding results with energy-efficient Siemens PLC control system

The Siemens PLC control system installed in the separate control cabinet regulates all processes of a horizontal shredder and can be individually configured for each application. This guarantees consistently high-quality throughput material of homogeneous size - ideal for further processing. If required, horizontal shredders can of course also be integrated into a fully automatic production line.



Powerful and low-maintenance drive via electric motor and V-belt

An electromechanical drive with V-belt is used to drive the V rotor installed inside the machine. It can be maintained in a user-friendly manner and is characterized by its proven technology combined with high throughput. The absence of a gearbox or clutch also ensures low wear.

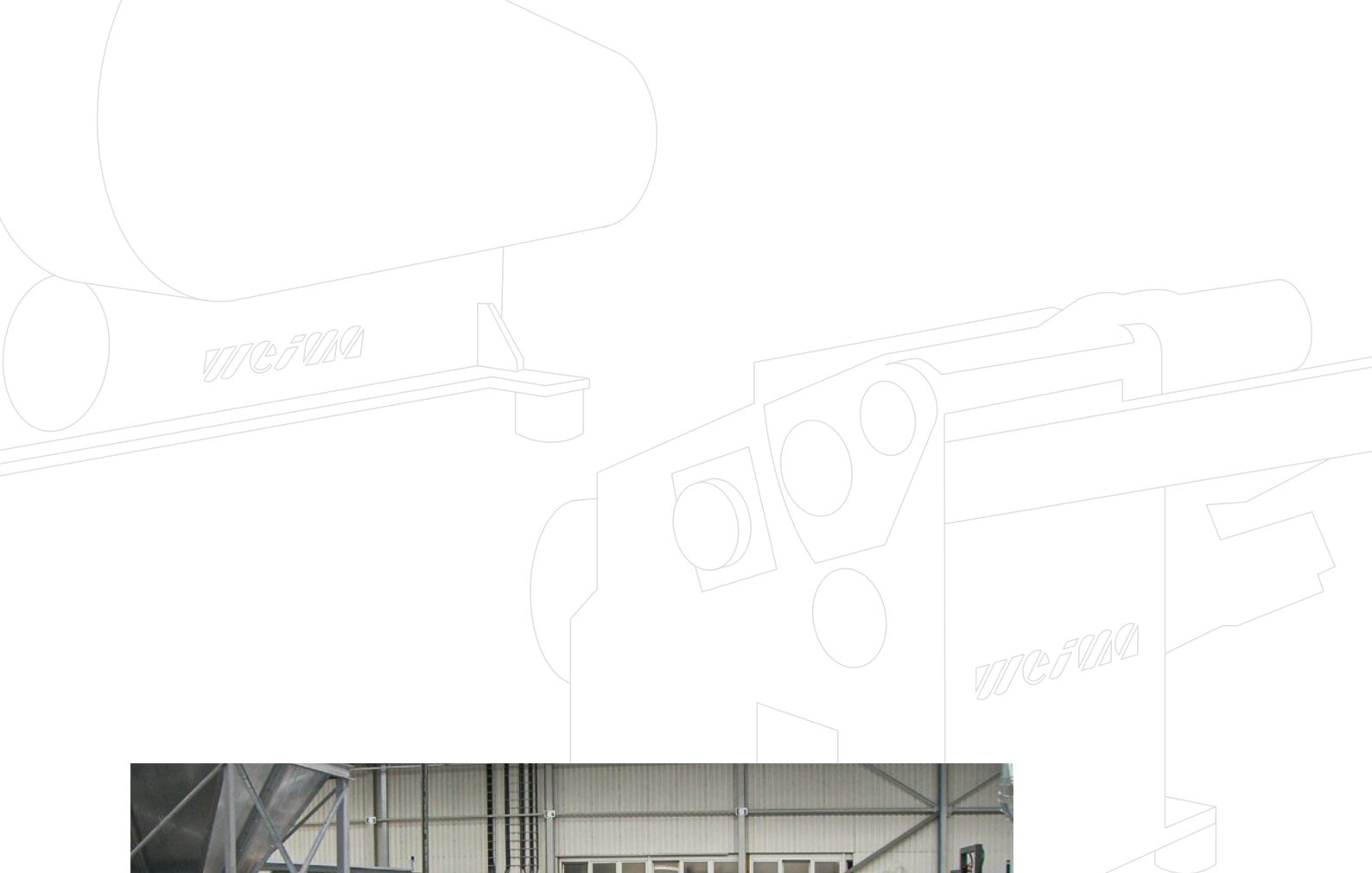


Oversized scrap? No problem.

Extra-large shredders

Long or wide waste materials, such as panel cuttings, often have a width that is simply too large for standard shredders. For this reason, WEIMA offers the Jumbo versions of the Tiger machines as the right solution for large-sized materials in XL format up to 1,600 mm working width. They not only have a wider feed opening, but also an enlarged rotor diameter of up to 500 mm for even more throughput.

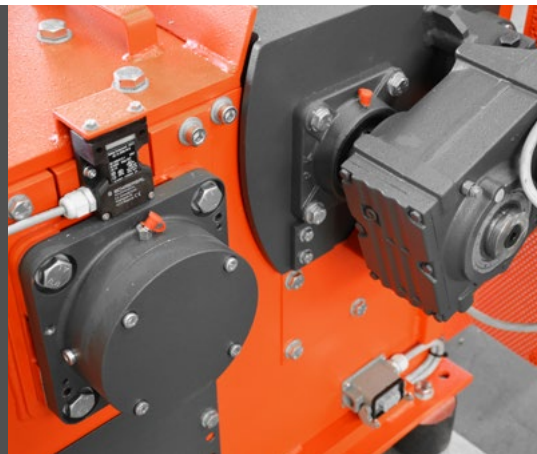




ROBUST MACHINE DESIGN

including offset rotor bearings

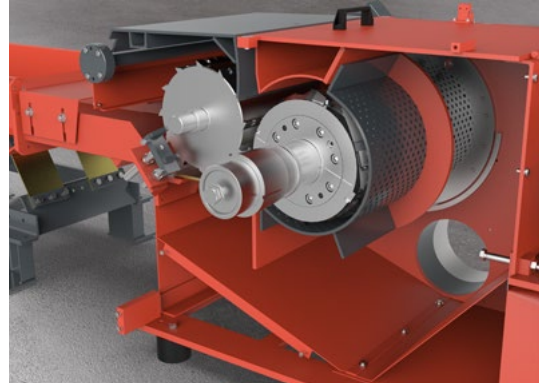
WEIMA horizontal shredders are not only particularly compact, but above all, robustly built. Rotor bearings that are offset from the machine frame are insensitive to dust, easy to maintain and durable.



TECHNICAL HIGHLIGHTS

Homogeneous material sizes thanks to exchangeable screen with round holes

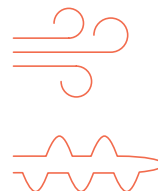
Screwed underneath the rotor is a round hole screen, which can be replaced as required by a screen with a larger or smaller hole diameter in the range 10 - 80 mm. Material is shredded by the rotor until it fits through the hole openings, falls through, and is finally suctioned off. This guarantees a particularly homogeneous material for each individual requirement.



Achieve high throughput rates

with innovative V rotor and feed roller

The cutting geometry of a shredder has a significant influence on the shredding result and the output quantity. WEIMA horizontal shredders are optimally equipped due to the aggressive, controlled material intake by means of an infeed roller and the use of two rows of rotor knives. Thus, a high throughput is achievable even with comparatively low power requirements. Wear on the cutting knives is minimal. If necessary, they can be turned and replaced.



Continuous material discharge by suction or screw conveyor

The material can be discharged from the side or rear of the machine, as required. As a rule, the shredded material is extracted via a suction nozzle and transported to a central silo. However, a screw auger can also be used as an option. Thanks to the closed system, dust emission is particularly low, which reduces the risk of explosion.



Disposal on the spot directly at the machine

In many day-to-day activities, scraps or offcuts of wood or plastic accumulate directly at the workstation. This is also the case, for example, with panel or sliding table saws. Instead of collecting them separately and transporting them away, we recommend placing a horizontal shredder directly next to the machine. Waste can then be disposed of immediately and without additional effort.

SAFE MATERIAL FEEDING OF LONG PARTS

via horizontal vibratory conveyor

While the Beaver machines are fed directly via a manual inclined feeder, the WLH and Tiger shredders use a vibrating infeed conveyor to feed the material. It is available in various lengths (up to 40 m) and transports long strips, profiles or pipes to the infeed roller located in front of the rotor. The roller picks up the material to be shredded and transports it horizontally to the rotor, where it is shredded between the cutting knives and counter knives. The horizontal machine design simplifies material handling of long pieces. Compared to shredders with a classic hopper, the material cannot jump out in an uncontrolled manner, which significantly increases safety.



The background image shows a modern industrial factory. In the foreground, a large orange shredder with a prominent orange safety grille is visible. The brand name 'weima' is printed in white on a black component of the machine. Behind the shredder, a conveyor system with orange rollers is transporting a long, thin white sheet of material. In the upper left, a large orange robotic arm is suspended in the air, with various cables and hoses attached to it. The background features yellow safety railings and other industrial equipment, creating a sense of a busy, automated production environment.

SEAMLESS INTEGRATION INTO PRODUCTION LINES

through automated operating mode

If you want to increase efficiency in production, you also need to keep an eye on and optimize waste management. Horizontal shredders are ideally suited for use in state-of-the-art production lines thanks to their compact design and the availability of all data interfaces commonly used today. In addition, they can be operated fully automatically. Modern shredders not only reduce the volume of waste and improve material flow without manual intervention, but also reduce the cost of intralogistics. In addition, your shop floor becomes safer and cleaner.

TECHNICAL DATA

● Technical data horizontal shredders

	Beaver 400	WLH 300	WLH 400	WLH 600	Tiger 400 S	Tiger 600 S	Tiger 800 S	Tiger 1000 S	Tiger 1300 S	Tiger 800 Jumbo	Tiger 1000 Jumbo
Feed opening length [mm]	400	300	400	600	400	600	800	1,000	1,300	800	1,000
Feed opening height [mm]	40	70	70	70	120	120	120	120	120	180	180
Rotor diameter [mm]	260	260	260	260	370	370	370	370	370	490	490
Power [kW]	15 18,5	15	18,5 20	22 30	22 30	30 37	30 37 45	45 55	45 55 75	45 55 75 90	75 90
Rotor knives [pcs]	18	14	18	32	22	32	44	56	70	66	84
Screen size [mm]	10-100	10-100	10-100	10-100	10-100	10-100	10-100	10-100	10-100	10-100	10-100
Length [mm]	2,180	2,350	2,350	2,350	2,750	2,750	2,750	2,750	2,750	3,350	3,350
Width with one infeed roller [mm]	1,185	1,100	1,300	1,500	1,350	1,550	1,750	1,950	2,250	1,850	2,050
Width with two infeed rollers [mm]	-	1,250	1,450	1,650	1,500	1,700	1,900	2,100	2,400	2,000	2,200
Height [mm]	1,085	800	800	800	1,000	1,000	1,100	1,100	1,100	1,500	1,500
Weight [approx. kg]	1,000	900	1,100	1,300	1,600	2,100	2,600	3,500	4,000	4,600	5,900

Other variations, special equipment, and technical modifications available on request.

MULTI-SHAFT SHREDDERS

- High-torque and low-noise all-purpose shredders with two or four cutting shafts



M8.28



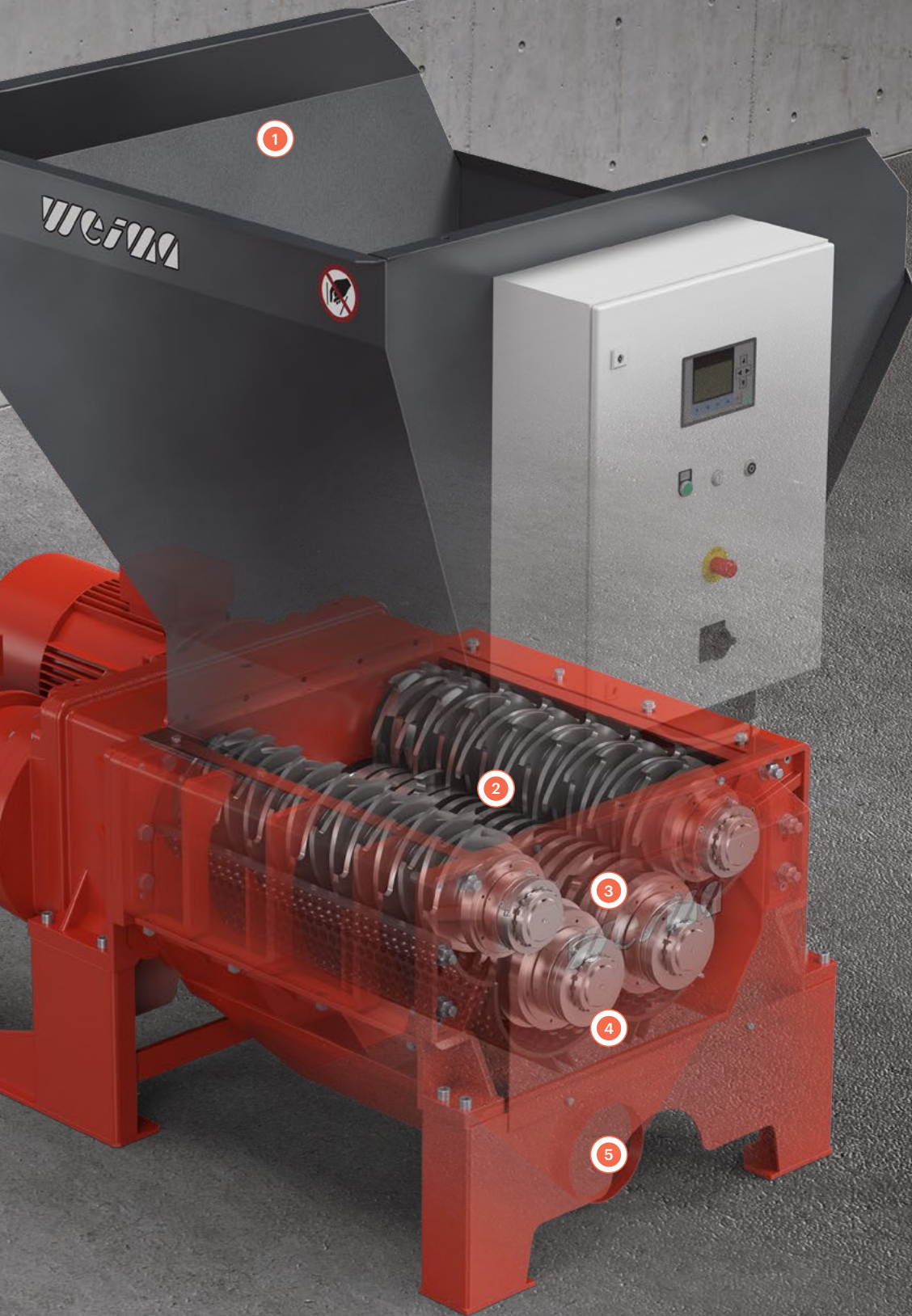
ZM 40

OPERATING PRINCIPLE MULTI-SHAFT SHREDDERS

Wherever the volume reduction of bulky and long wood and plastic waste as well as packaging, cardboard boxes or metal waste of all kinds is required, there is no way around the machines of the ZM series.

The proven shredder with four shafts mounted in parallel is designed for medium throughput volumes. With a generous hopper, two cutting and two clearing shafts, and a screen insert that can be individually adapted to your application, the shredders in this series reduce your waste materials to homogeneous particle sizes – whether as a stand-alone solution or as part of a multi-stage system.

- 1 Feeding the material into the hopper
- 2 Shredding with cutting discs
- 3 Transporting the crushed material with broaching discs through cutting gaps
- 4 Definition of particle size via screen
- 5 Discharge of the shredded material via suction, screw conveyor or conveyor belt



TECHNICAL HIGHLIGHTS



High drive power with double motor, planetary gear drive and frequency converter

Two powerful electric motors with up to 30 kW drive power each drive the four shafts. In the machines of this series, WEIMA relies on robust planetary gears to generate high torques. Optionally, the ZM series can be equipped with a frequency converter.

This allows the speed to be continuously regulated and power spikes can be avoided.



Low speed, maximum power for a wide range of applications

Thanks to the low shaft speed of approx. 25 rpm, noise pollution is in a very low range. An extremely high torque results from this slow speed. This enables high throughput with low power consumption. For light materials (e.g. peat), a speed of up to 50 rpm can also be set by selecting special motors.

Simple operation

via Siemens PLC control

The multi-shaft shredders can be operated in a user-friendly manner via a high-quality Siemens PLC control system. A touch display is also available as an option. For a particularly small footprint, the control cabinet is mounted on the side of the hopper. It is also available as a free-standing unit on request.



Heavy duty anti-wear package for particularly abrasive materials

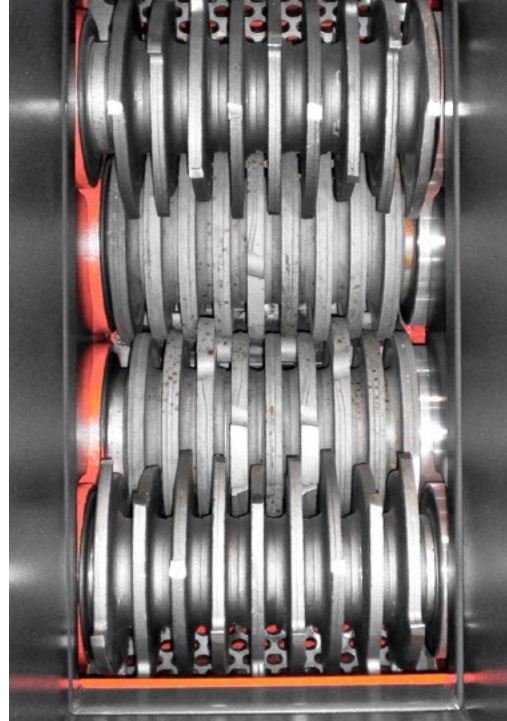
For shredding particularly abrasive materials, such as fibrous or heavily contaminated material, we recommend our anti-wear package. Along with a double-walled machine design, wear protection plates can be selected in the cutting chamber on the fixed bearing side and on the gearbox side to ensure a particularly long bearing life. In addition, cutting shafts and cutting discs can be made of hardened tool steel.



Individual cutting configuration for optimum shredding results

The cutting configuration of the ZM shredders comes standard with two cutting shafts and two clearing shafts.

The cutting shafts can be configured according to the desired throughput and particle size. The width and number of cutting discs can be variably adapted to your application. For higher throughput, the broaching discs can optionally be replaced by cutting discs. In addition, special cutting discs with stronger cutting capacity are also available – for even more aggressive cuts.



LOW-MAINTENANCE SHREDDING

without ram system,
with four-shaft technology

The material is gripped and shredded by the cutting teeth of the cutting discs, and then pressed through the cutting gaps between the cutting discs by the broaching discs. In addition, the broaching discs ensure optimized material discharge through the screen. Thanks to the self-feeding system, the machines do not require a hydraulic pusher system. This reduces the need for maintenance.

Homogeneous particle size thanks to exchangeable screen insert

The screen placed under the cutting and clearing discs determines the particle size. An optional secondary breaker system integrated in the screen prevents long pieces from passing through the perforated screen and causing malfunctions in downstream machines. Depending on the application, round holes with diameters of 10 - 150 mm can be selected. Special designs with slots or without screen insert are also possible. This ensures that the optimum particle size is produced for each individual case.



TECHNICAL HIGHLIGHTS



Versatile feeding via large hopper
by conveyor belt, forklift, lifting and tipping device or by hand

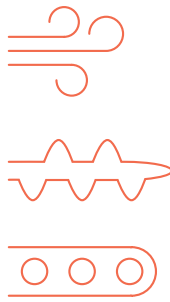
The large feed hopper can be individually adapted to customer requirements. For extremely flexible operation, the shredder can be fed in a user-friendly manner by conveyor belt, forklift, lifting and tipping device or by hand. The low loading edge is helpful here. A pressing system is also available as an option. When shredding very dusty material, we recommend a lid with safety limit switch for dust and splash protection.



Integration into your production line
thanks to compact machine design

The robust yet space-saving machine design ensures easy integration into your existing plant. The ZM series can be used, for example, as a pre-shredder upstream of a granulator or shred materials for subsequent briquetting.





Flexible material discharge by suction, screw or conveyor belt

The shredded material can be discharged flexibly. For optimum connection to your extraction system, an extraction tray can be optionally selected. A quick and clean discharge by conveyor belt is possible by means of an elevated frame. Alternatively, a discharge screw is also available.



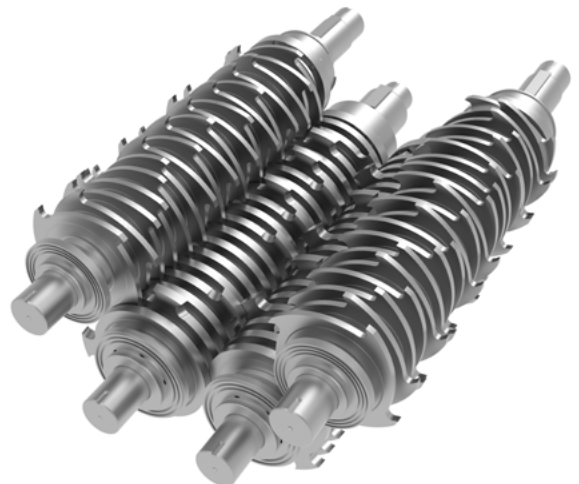
Quick access to the screen with optional quick-change screen

For a particularly quick and easy screen change, we recommend the optional quick-change screen. The manually removable screen insert allows the screen to be optimally adapted to your changing material streams.

AUTOMATIC OVERLOAD PROTECTION

with reversing switch

In the event of an overload, the cutting and clearing discs on the left and the cutting and clearing discs on the right reverse independently of each other, depending on which pair of shafts is subjected to the greater load. This removes the load from the shafts and repositions the material to be shredded for optimum shredding.





TECHNICAL DATA AND MACHINE CONFIGURATION

● Technical data multi-shaft shredders

	ZM 30	ZM 40	ZM 50	ZM 60
Hopper opening length [mm]	1,000	1,300	1,540	1,740
Feed opening width [mm]	1,240	1,380	1,380	1,380
Cutting unit width [mm]	460	760	990	1,200
Cutting unit length [mm]	560	600	700	690
Disc diameter [mm]	235	280	280	280
Power [kW]	2×7,5 2×11	2×15 2×18 2×22	2×15 2×18,5 2×22 2×30	2×18,5 2×22 2×30
Suction port diameter [mm]	200	200	200	200
Length [mm]	1,490	1,980	2,180	2,450
Width [mm]	1,290	1,430	1,430	1,430
Height [mm]	1,970	1,970	1,970	1,970
Weight [approx. kg]	1,300	2,500	3,000	3,300

Machine configuration for multi-shaft shredders

● Standard ○ Optional – Not available

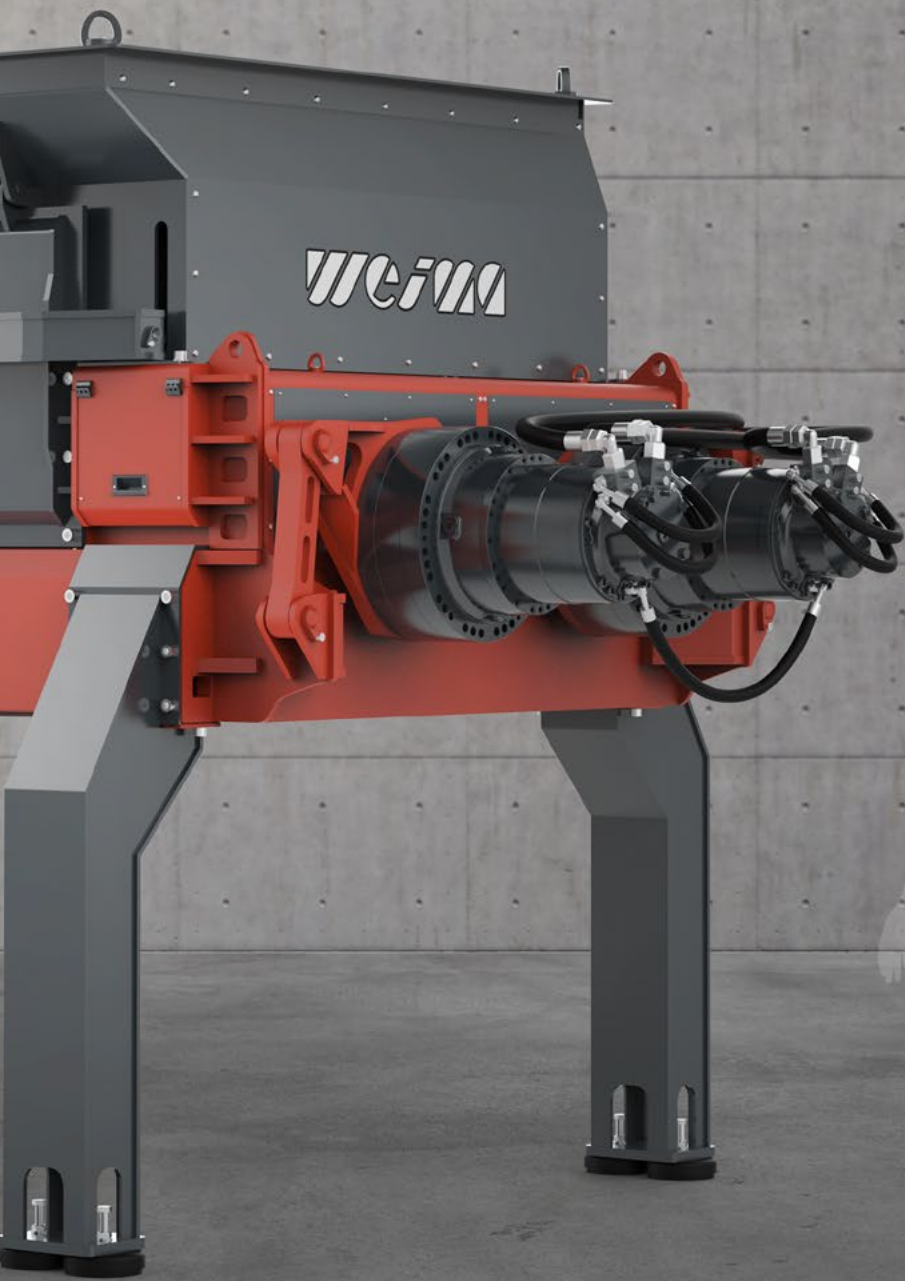
	ZM 30	ZM 40	ZM 50	ZM 60
DRIVE				
Double drive power through 2 electric motors	●	●	●	●
Automatic reverse	●	●	●	●
CUTTING CHAMBER				
Cutting unit with 2 cutting shafts and 2 clearing shafts	●	●	●	●
Cutting unit with 4 cutting shafts	○	○	○	○
Wear package cutting chamber	–	○	○	○
Double wall design	–	○	○	○
MATERIAL FEED				
Large volume feed hopper	●	●	●	●
Hopper lid with gas pressure spring and safety limit switch	○	○	○	○
MATERIAL DISCHARGE				
Exchangeable screen	○	○	○	○
Quick change screen	○	○	○	○
Secondary breaker bars	○	○	○	○
Extraction hood	○	○	○	○
ELECTRONICS				
Control cabinet with Siemens PLC control	●	●	●	●
Automated overload protection	●	●	●	●
Additional emergency stop switch	○	○	○	○
Stop and go control	○	○	○	○

Other variants, special equipment and technical modifications available on request.

M8.28

○ Two-shaft pre-shredder
with 800 mm diameter





TECHNICAL HIGHLIGHTS



Simple parameter adjustment thanks to PLC control with large touch display

With the large touch display, you have all important data and settings in front of you at a glance. This makes it easy to flexibly adjust parameters such as the cutting shaft speed. With the Siemens PLC control system, not only the shredder but also the peripherals including conveyor belts, separation technology and secondary shredders can be controlled centrally via PROFINET and PROFIBUS systems. Material flows can thus be processed in an energy-efficient manner and maintenance can be optimized.



Flexible adjustments of the cutting table

due to Easy Exchange System

The cutting table is easy to change thanks to the EES (Easy Exchange System). It can be lifted out of the machine frame together with the cutting shafts and easily replaced. Even with changing material flows, the shredder can thus be optimally adapted to customer requirements.

Constantly lubricated bearings

thanks to automatic central lubrication

The central lubrication system ensures that moving machine parts such as the cutting shaft bearings are always optimally lubricated. This eliminates the need for manual lubrication.



Easy integration into production lines or as stand-alone solution

Optimally linked: WEIMA shredders have all common interfaces (PROFINET, PROFIBUS) to ensure fast integration into planned or already existing production lines. Thanks to the low loading edge, the shredder is ideally suited for direct filling via gripper, forklift or wheel loader, but also via conveyor belts. The elevated base frame offers plenty of space for all common conveyor belts. This means that large quantities of shredded material can be transported quickly and cleanly.

Flexible machine setup

thanks to separate PowerPack

The 280 kW PowerPack can be set up flexibly: directly next to the machine, a few meters away or even in a separate room. An enclosure protects the motors from corrosion, moisture, and dirt. If required, soundproof panels can be selected for the enclosure to minimize noise generation.



OPTIMAL SHREDDING RESULTS

thanks to individual cutting configurations

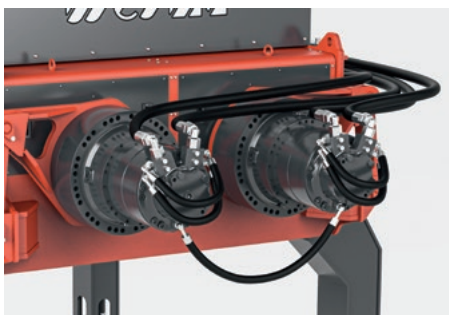
The cutting shafts can be configured with eight to twelve cutting discs, depending on the required throughput and particle size. The size of the shredded material depends on the number and width of the cutting knives.



Mastering abrasive materials

with Hardox® wear protection

The cutting shafts are designed to be particularly resistant to abrasive materials and foreign substances such as sand, metals, or other contaminants. The cutting knives are made of Hardox® 500 steel to protect them against wear and abrasion.



Powerfully driven

with hydraulic drive

For the twin-shaft shredders of the M series, WEIMA relies on powerful hydraulics from high quality manufacturers. The hydraulic drive is very responsive - and this at a low connected load. Stopping, starting, and reversing is possible even under full load. The speed (15 - 40 rpm) and torque are infinitely variable without a frequency converter.

TECHNICAL HIGHLIGHTS

Use in multi-shift operation thanks to hydraulic oil cooling

To compensate for temperature differences in the hydraulic oil, shredders of the M series have an oil cooling system with air cooling. This ensures long operating times without downtime. The voluminous oil tank is equipped with a micro-filter system and thus guarantees the purity of the oil for a particularly long service life.



Shredding particularly large items

thanks to large hopper volume

The standard version of the hopper has a capacity of five cubic meters. For feeding particularly voluminous parts or large quantities of material, this can be expanded to eight cubic meters. Filling by gripper is thus conveniently possible.



REMOTE MACHINE OPERATION

via remote control or smartphone

The M series can not only be operated via the touch display, but it can also be controlled via remote control. Functions such as starting and stopping the shredder, opening and closing the maintenance flap, reversing the cutting shafts, and activating the emergency stop can be conveniently monitored. Optionally, the shredder can be controlled via a smartphone app. Function parameters such as throughput, operating hours, maintenance intervals and fill levels can also be accessed there.



Convenient maintenance and optimal access to the cutting table thanks to lateral inspection flap

The lateral inspection flap can be opened hydraulically. This facilitates access to the cutting table including cutting shafts for routine maintenance. Foreign matter can also be easily removed manually in this way.

TECHNICAL DATA AND MACHINE CONFIGURATION



● Technical data M8.28

Cutting shaft diameter [mm]	800
Cutting shaft length [mm]	2 × 2,800
Cutting shaft speed [rpm]	15 - 40
Power [kW]	2 × 132 2 × 160
Max. number of cutting hooks [pcs]	24
Fraction size [mm]	150 - 500
Discharge dimensions [mm]	1,900 × 2,800
Loading height [mm]	3,400
Length [mm]	5,000
Width [mm]	2,950
Height [mm]	3,400
Weight [approx. kg] ¹⁾	24,000
Weight PowerPack [approx. kg]	4,500

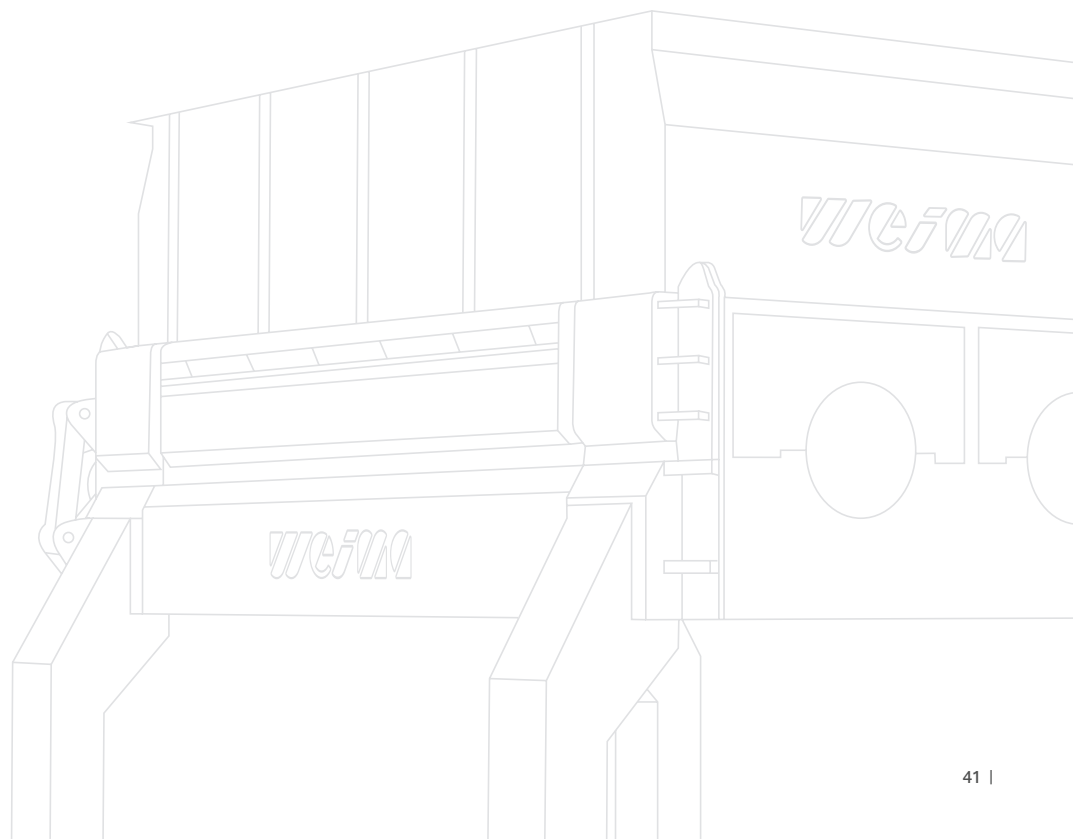
1) Machine incl. Standard hopper and supporting feet

Other variants, special equipment and technical modifications available on request.

● Machine configuration M8.28

● Standard ○ Optional

Control cabinet with PLC control	●
Touch display	○
Hopper with 5 m ³ volume	●
Hopper with 8 m ³ volume	○
Inspection flap	○
EES cutting table	○
Central lubrication system	○
Remote control	○
Remote control via app	○
Support legs	○
Hydraulic oil preheating	○
PowerPack with noise protection	○
Wear kit	○



GRANULATORS

- Robust granulators and secondary shredders – High-Speed runners



WSM 300 | 600

WSM 800 | 1200



WNZ 310 | 600

OPERATING PRINCIPLE GRANULATORS

Granulators, or cutting mills, are typically used as secondary shredders within a multi-stage recycling plant. The material has already been pre-shredded. Now it is to be granulated to the desired final size. The rotor speeds are therefore faster. A material ram is not required.

All machines feature heavy-duty steel construction, easy maintenance access and high throughput rates. The most common applications include the secondary shredding of films, canisters, thin-walled pipes, profiles, bumpers, injection molding waste, or deep-drawn parts.





- 1 Feeding the material into the hopper
- 2 Size reduction between rotor and stationary knives (counter knives)
- 3 Definition of particle size via screen
- 4 Discharge of the granulated material via suction or screw auger

TECHNICAL HIGHLIGHTS

Robust, low-maintenance rotor bearings designed for use in cutting mills

The spherical roller bearings used for the bearings of the cutting mill rotor are arranged in steel pillow block housings located on the outside and separated from the grinding chamber. This has the advantage that no dust or material can leave the grinding or cutting chamber in an uncontrolled manner and damage the bearings. Both bearings can also be easily relubricated and are provided with grease outlets.



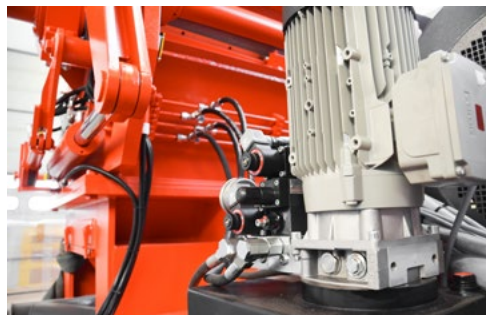
High cutting performance with low energy consumption

due to double helical cut technology

Users can choose between different rotor variants for individual material adjustment. In all rotors, both the rotating cutting knives and the stationary knives are angled toward each other. This results in a targeted cutting gap - across the entire working width. In addition, the shear cut not only ensures a constant regrind size, but also has a positive effect on the noise level.

Uniform power transmission thanks to electric motor with reinforced flywheel

To ensure optimum power transmission from the drive motor to the rotor of the granulator, even in continuous operation, a reinforced flywheel design is used. This makes it possible to cut and grind particularly hard feed material without any problems.



Perfect for
two-stage material
preparation
WNZ secondary shredder

High-speed shredders of the WNZ series operate according to the granulator principle and are therefore ideal for two-stage processing in combination with a primary shredder (e.g. WLK 1000). Almost any type of plastic or wood can be re-shredded. The multi-stage process proves to be particularly effective, quiet, and low in energy and wear.



Easy access
for cleaning and maintenance purposes

The upper part of the grinding chamber as well as the infeed hopper can be tilted backwards. This allows convenient access to the lower part of the grinding chamber, where the rotor, rotating knives, and front/rear stationary knives are located. The screen is also easily accessible, which reduces maintenance times to a minimum.

**EXTRA-STABLE
MACHINE DESIGN**

for highest demands

The granulator housing consists of an unbreakable welded steel construction. Castings are categorically not used. It must withstand exceptionally high loads even in continuous operation. If required, the housing can be additionally lined with replaceable wear plates at special impact zones.

TECHNICAL HIGHLIGHTS

Efficient noise level reduction thanks to sound insulation options

Unfortunately, granulators are inherently noisier than slow-running single-shaft shredders due to their high rotor speeds. For this reason WEIMA offers solutions to reduce noise emissions. These include a special noise reduction hopper, which also reduces vibrations, as well as a double bevel cut technology on the rotor. Even more effective is a complete sound enclosure. Such an enclosure reduces the emission of loud noises many times over. This has a positive effect on your employees and the working environment.



PERFECT CUTS EVERY TIME

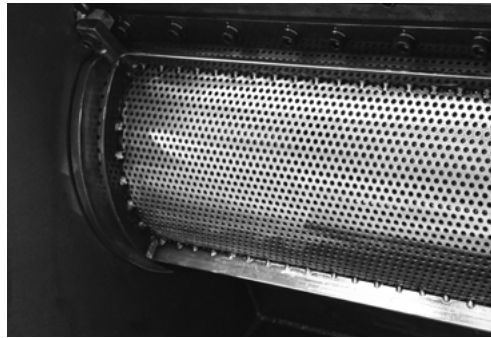
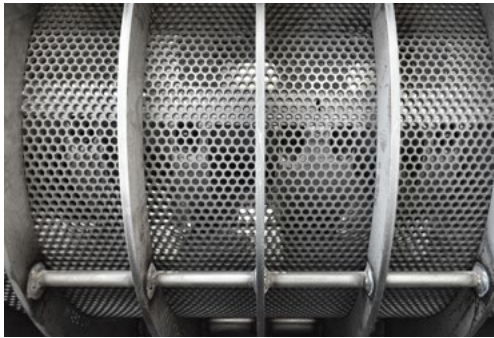
thanks to user-friendly
knife setting gauge

The cutting geometry is the heart of a secondary shredder. To ensure that it is always perfectly suited to the material being fed and that the cutting gap is correct, the cutting knives can be quickly and conveniently readjusted outside the machine with the aid of a setting gauge. Stationary knives can also be reversed on both sides. This means that once the first knife edge has worn out, a further edge is available simply by turning it over. Downtime, fines, and dust generation are thus reduced to a minimum. The result is a regrind of uniform size.

Universally suitable for many plastics applications

If you are looking for a flexible granulator solution, you will find it at WEIMA. With our machines you can granulate pre-shredded materials such as pipes, automotive parts, blow molding products such as PET bottles, PP/PE bottles, canisters, buckets, films, and other flexible materials. With a simple changeover, even start-up lumps or other thick-walled materials can be shredded. In all cases, you get a high-quality, homogeneous regrind that meets the high requirements of a modern recycling plant.





Fast screen replacement for maintenance or material changes

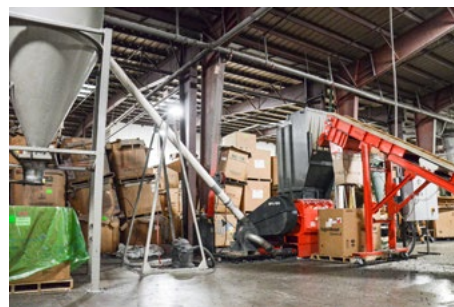
The screen size defines the material size after granulation. The smaller the hole diameter, the finer the material to be ground. If a screen must be removed for maintenance or changing material flows, this can be done easily by means of a threshold exchange mechanism.



Convenient filling and maintenance

via large, tiltable feed hopper

As a rule, WNZ and WSM machines function as secondary shredders of a two-stage shredding plant or recycling line. The particularly wide and high opening of the feed hopper facilitates filling of the machine. A lamella curtain serves as splash protection. The material can be fed manually or automatically by conveyor belt. For maintenance purposes, the entire hopper can be folded away via a tilting mechanism with safety limit switch, giving free access to the rotor.



Efficient material discharge via suction system or screw auger

As a standard feature, the side of the machine is equipped with a round suction port through which the granulated material can be extracted. If desired, a discharge solution by screw conveyor can also be implemented.



TECHNICAL DATA AND MACHINE CONFIGURATION

Technical data granulators

	WNZ 200/600	WNZ 200/800	WNZ 310/600	WNZ 310/800
Feed opening length [mm]	650	650	650	650
Feed opening height [mm]	600	800	600	800
Rotor length [mm]	600	800	600	800
Rotor diameter [mm]	200	200	310	310
Rotor knives [quantity]	8	8	10	10
Stator knives [quantity]	2	2	2	2
Power [kW]	15 18,5 22	18,5 22 30	18,5 22 30	30 37 45
Screen perforation [mm]	5 - 25	5 - 25	5 - 25	5 - 25
Length [mm]	1,380	1,380	1,680	1,680
Width [mm]	1,070	1,270	1,120	1,320
Height [mm]	1,820	1,820	2,030	2,030
Weight [approx. kg]	610	780	980	1,200

Machine configuration granulators

● Standard ○ Optional – Not available

	WNZ 200/600	WNZ 200/800	WNZ 310/600	WNZ 310/800
Electromechanical drive	●	●	●	●
CUTTING GEOMETRY				
Rotor with 4 knife rows	●	●	–	–
Rotor with 5 knife rows	–	–	●	●
Solid steel rotor	●	●	●	●
V-cut technology	●	●	●	●
Knife setting gauge	○	○	○	○
Offset bearing	●	●	●	●
FRAME				
Robust machine frame	●	●	●	●
Vibration damping machine feet	●	●	●	●
MATERIAL DISCHARGE				
Screen manually tiltable	●	●	●	●
Discharge screw with gearbox motor	○	○	○	○
Air extraction port	●	●	●	●
MATERIAL FEED				
Large feed hopper	●	●	●	●
Funnel with lamella curtain	●	●	●	●
Hinged hopper	●	●	–	●
ELECTRONICS				
Control cabinet with Siemens PLC control	●	●	●	●
Light barrier with cable and control	○	○	○	○
Potential free contact	○	○	○	○

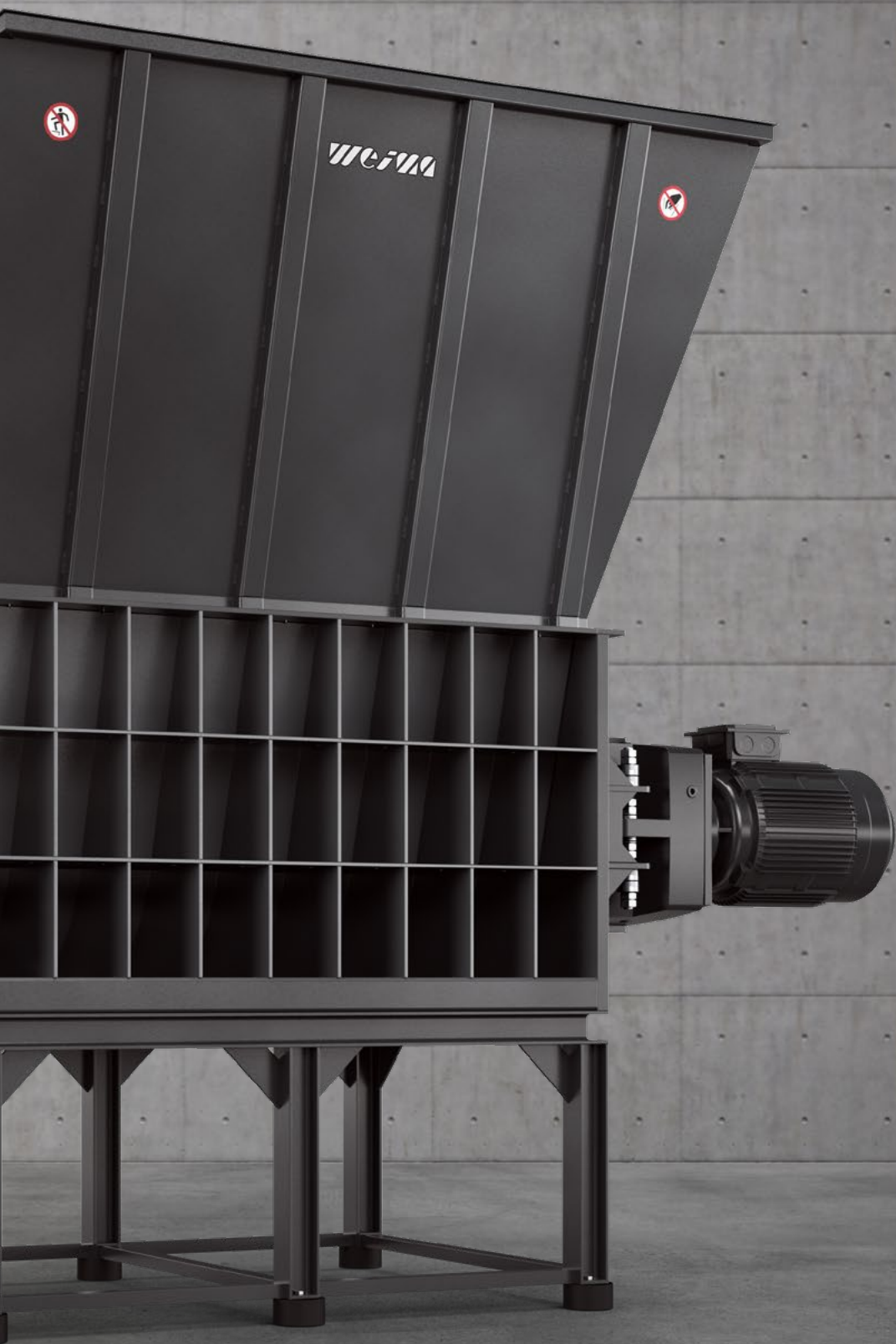
Other variants, special equipment and technical modifications available on request.

CRUSHERS

- Uncompromising pre-shredders – waste wood specialists with large 1,000 mm diameter screw shaft



Woodwolf 2000 S

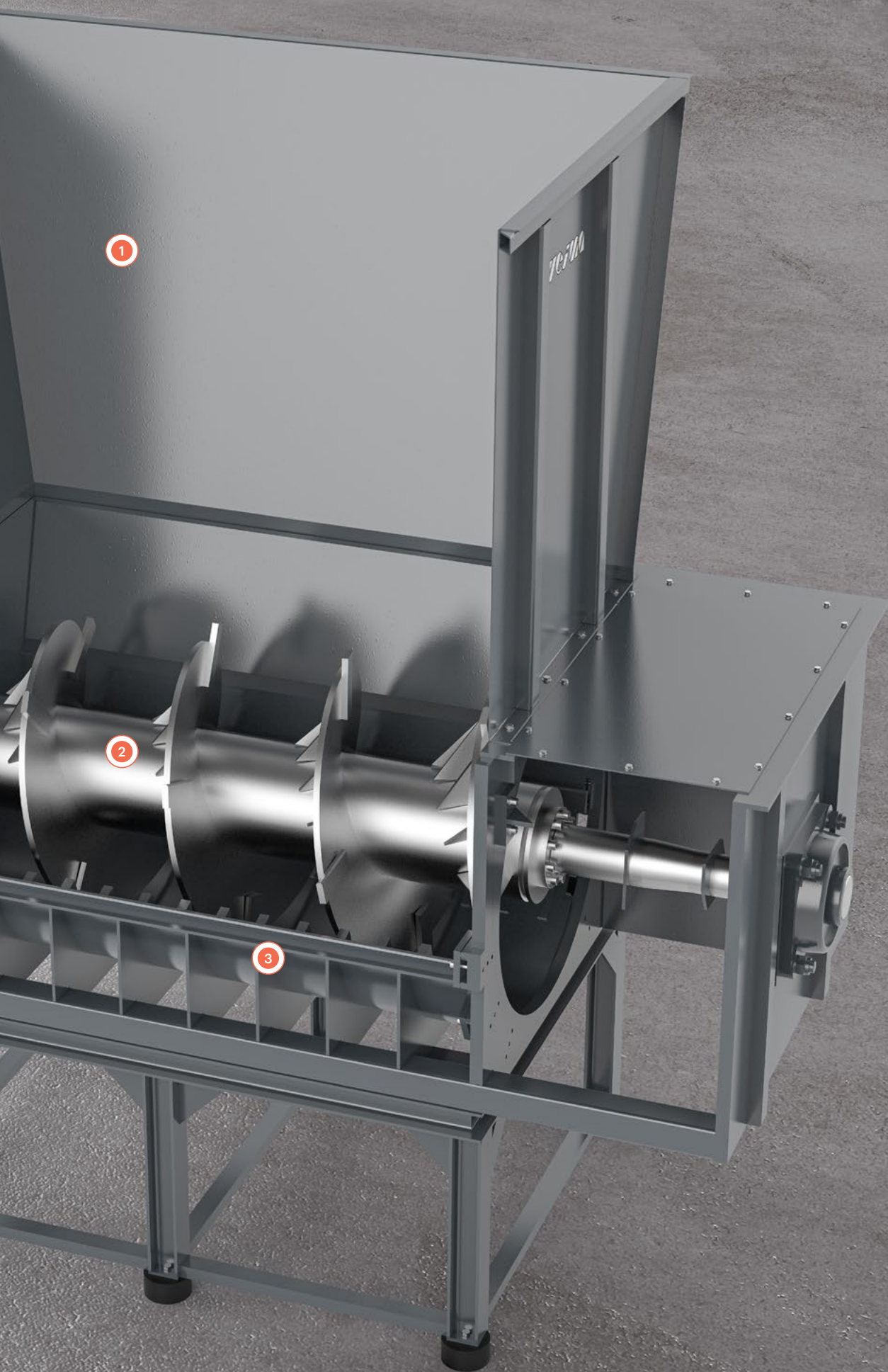


OPERATING PRINCIPLE CRUSHERS

The Woodwolf machines of the crusher series belong to the classic pre-shredders. Unlike single-shaft shredders, they do not have a rotor and a counter-knife. Material is therefore not cut, but it is instead broken up. For this purpose, a screw with a diameter of 1,000 mm, which lies horizontally in the machine body, is used. It crushes and tears pallets, boxes, or furniture to approx. notebook paper-sized pieces. These can then be transported further to the secondary shredder via a conveyor belt.

- 1 Feeding the material into the hopper
- 2 Shredding of the pallets by screw conveyor
- 3 Discharge of the shredded material via conveyor belt or directly into a container





TECHNICAL HIGHLIGHTS

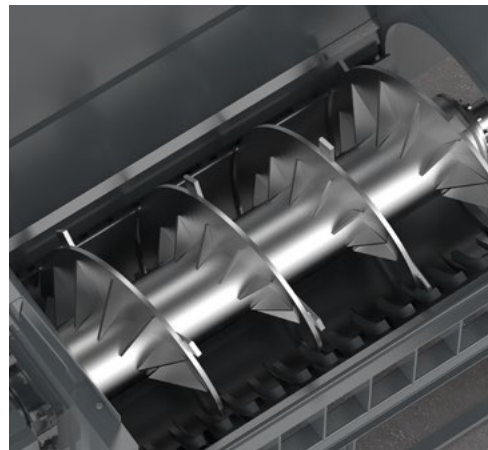


Simple machine operation
thanks to control cabinet
with integrated
PLC control system

All control cabinets are designed, wired, and built by WEIMA in Ilsfeld. They are equipped with a high-quality Siemens PLC control system. The operation is done by a few easy-to-understand buttons. Keep it simple.

High-throughput primary shredder
with 1,000 mm flight circle Ø screw rotor

The extra-large screw rotor is the heart of the shredder and is located in the machine tub, which is extremely robustly designed with 40 mm reinforced steel side walls. At the outer blade ends, the screw is fitted with welded-on knives. They can be replaced quickly in the event of wear. The proven helix shape guarantees uniform material discharge.



Low maintenance operation

with robust gear motor

A proven electric gearbox motor directly drives the screw rotor and ensures continuous power transmission, while the hydraulic unit is protected. The solid technology is extremely low-maintenance, compact, and durable.



EXTRA LARGE MATERIAL HOPPER

for easy feeding of several pallets

Compared to many other pallet shredders, WEIMA primary crushers make it possible to feed several pallets at once. The extremely robust hopper with reinforced loading edge provides a large buffer volume. There is no need for manual individual feeding. This saves time and increases material throughput. If required, the hopper can also be equipped with a lid to prevent material from jumping out which increases safety during operation.



Low-noise pre-shredding thanks to slow speeds

The low screw speed results in minimized noise and thus protects your environment from noise emissions. The fed material is crushed by the screw rotor and not cut by means of knives and counter-knives at significantly higher rotor speeds, as is the case with classic single-shaft shredders.

TECHNICAL HIGHLIGHTS

VARIABLE MATERIAL DISCHARGE HEIGHT

thanks to separate underframe

Depending on demand or space requirements, the frame height of the crusher can be specified. This guarantees optimum discharge of the pre-shredded material by conveyor belt or into a container. It is also possible to place it directly above a secondary shredder to save space.



Ideal for pallets and bulky waste wood
such as furniture, crates, or large-volume wood waste

Typically primary crushers are used for disposable pallets and Euro pallets made of wood. Removal of nails or screws is not necessary. Metals can be separated afterwards. Used furniture from bulky waste, boxes or other containers can also be easily pre-shredded. In any case, there is a significant reduction in volume, which noticeably reduces piles of production waste.



Flexibly applicable pre-shredder

as stand-alone solution or
in a two-stage process

In most cases, WEIMA Crusher series pre-shredders are used within a two-stage processing plant. For example, after pallets have been pre-crushed, metal separation and secondary shredding follow. Single-shaft shredders such as the WLK 800 or WLK 1000 are suitable for this purpose. The wood chips produced can be burned directly in a heating plant or can be compressed into an even higher-quality fuel source using a briquetting press.



Maximum robustness

thanks to durable screw rotor bearings

A crusher screw with a flight circle of 1,000 mm must have correspondingly solid bearings. For this reason, WEIMA relies on reinforced spherical roller bearings that are offset from the machine frame. This consistently prevents foreign matter from entering the bearing.



Convenient loading

via wheel loader, forklift, or crane

The large hopper opening provides sufficient space for fast and user-friendly feeding by forklift truck, large wheel loader, or even crane. Depending on the application, the use of a feed conveyor is also possible.



TECHNICAL DATA AND MACHINE CONFIGURATION

● Technical data crushers

	Woodwolf 1500 S	Woodwolf 2000 S	Woodwolf 3000 S
Hopper opening length [mm]	1 875	2 375	3 375
Hopper opening height [mm]	1 630	1 630	1 630
Screw diameter [mm]	900	900	900
Screw length [mm]	1 500	2 000	3 000
Screw speed [rpm]	19	19	19
Power [kW]	30 37	30 37	30 37
Length [mm]	3 765	4 265	5 265
Width [mm]	1 850	1 850	1 850
Height [mm]	3 555	3 555	3 555
Weight [approx. kg]	6 000	6 700	8 100

Machine configuration crushers

● Standard ○ Optional — Not available

	Woodwolf 1500 S	Woodwolf 2000 S	Woodwolf 3000 S
Electromechanical drive	●	●	●
CRUSHER GEOMETRY			
Crusher screw with 1,000 mm Ø	●	●	●
Reversing control	○	○	○
Remote bearings	○	○	○
FRAME			
Base frame with 800 mm height	○	○	○
Vibration damping machine feet	●	●	●
MATERIAL DISCHARGE			
Large feed hopper	●	●	●
Hopper lid	○	○	○
ELECTRONICS			
Control cabinet with Siemens PLC control	●	●	●

Other variants, special equipment and technical modifications available on request.



YOU CAN RELY ON US

“Wherever your production takes place – highly qualified service technicians from WEIMA are always there for you. We offer on site visits, an over-the-phone service hotline, or e-mail support. You can count on competent support – from installation, inspection and maintenance, to repair of your equipment.”

*Davor Rebic,
Field Technician at WEIMA*

WEIMA CUSTOMER SUPPORT AND SERVICES

Customer proximity is the decisive factor for successful cooperation. For this reason, WEIMA invests in regional service centers. Just recently, two new locations were opened in India and China.

DID YOU KNOW?

More than **70 employees** worldwide take care of service matters. Of these, over 25 technicians are constantly on the road to commission or service the next machine.



Trainings

When you're well trained, you can maximize the full potential of your machine. Our service technicians usually accompany many projects during the development phase, which means they are immediately familiar with your application. We would like to pass on this combined knowledge to you and your employees. We set up the machine and commission the system together.

Our wide range of training courses is aimed at both beginners and experts. WEIMA is able to impart product know-how in a sustainable and professional manner thanks to experienced instructors, optimally equipped conference rooms, and hands-on training directly at the shredding or compacting plant.

WEIMA's training centers at the main location in Ilsfeld, and at our subsidiary WEIMA America in the USA, allow you to get to know your machine under optimal conditions and to further supplement your expertise.



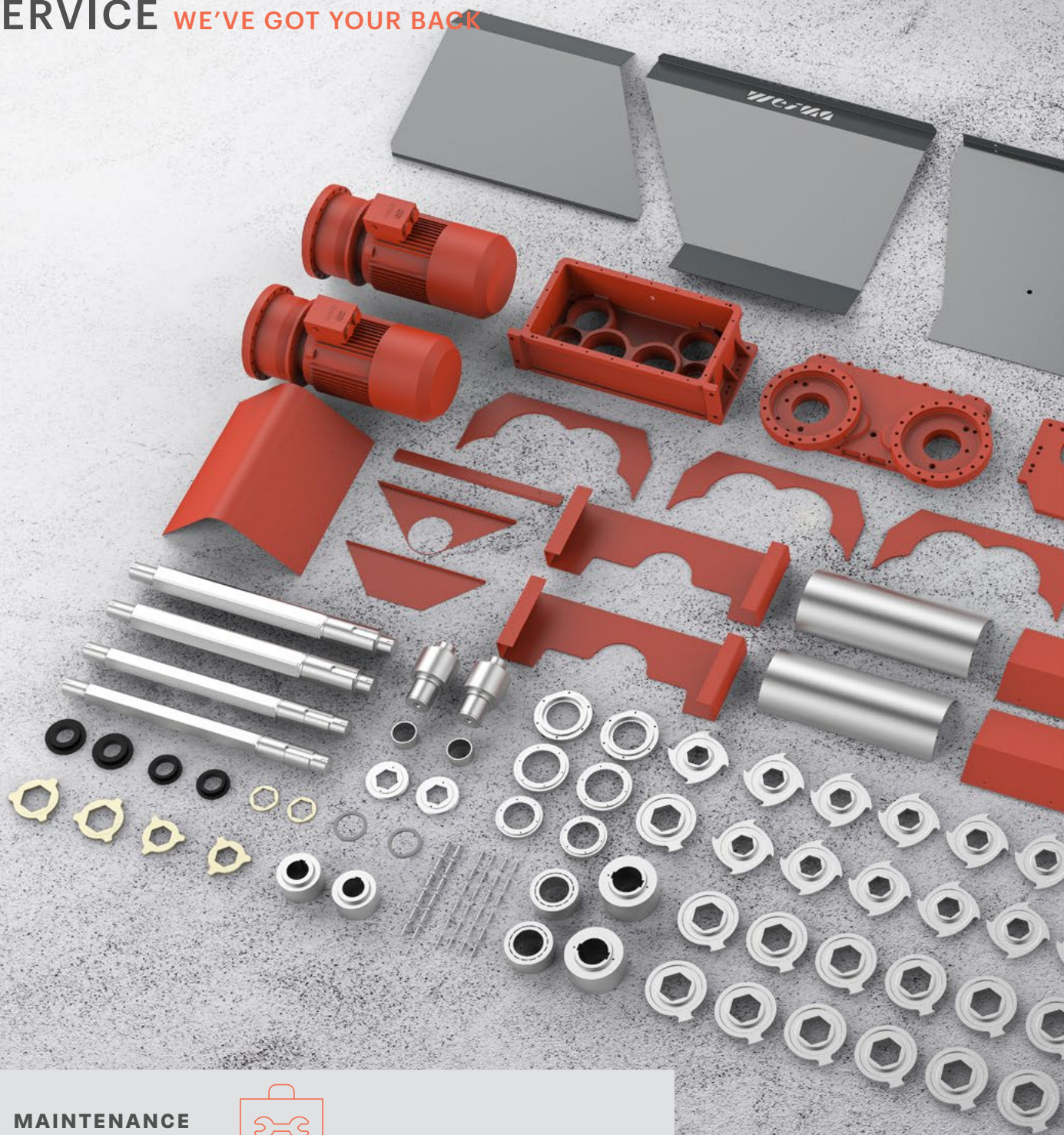
We've got your back.

FIRST-CLASS QUALITY FROM SECOND-HAND MACHINERY



With used shredders, briquette presses, and drainage presses from WEIMA, you play it safe. Second-hand machinery is refurbished and comes with original WEIMA parts. The special thing about it: As with the purchase of a new machine, the extensive range of training courses, function upgrades and services is available to you. You can also rely on our team of experts to answer all your questions when selling your used WEIMA.

SERVICE WE'VE GOT YOUR BACK



MAINTENANCE AND REPAIR

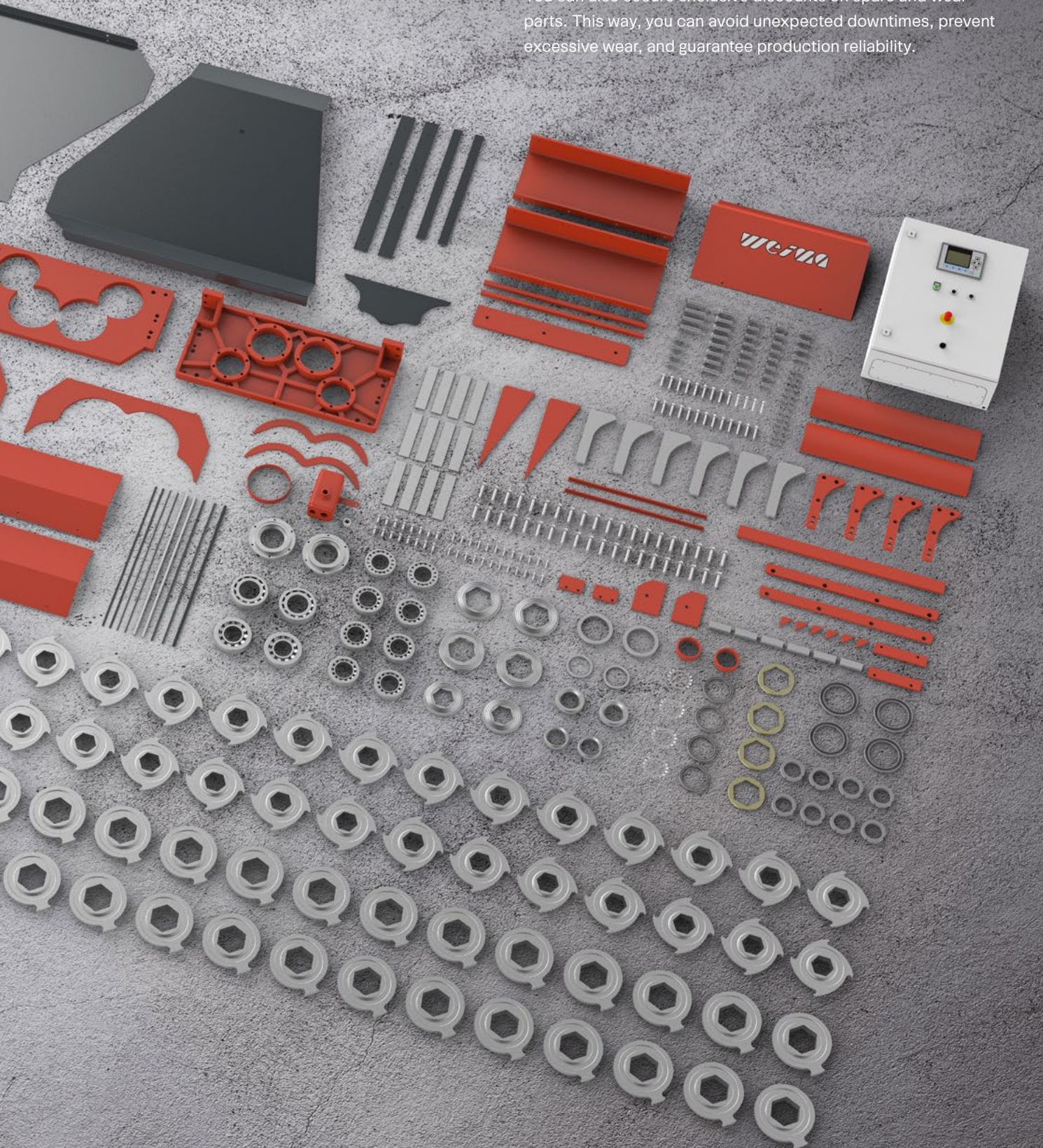


There's no such thing as can't. WEIMA service technicians are guaranteed to get everything running again professionally. They know WEIMA machines like no one else and they have an irreplaceable wealth of experience and expertise. Regular maintenance ensures safe and reliable production, saving time and money. Documenting maintenance according to manufacturer specifications also increases the resale value and service life of your plant. You can also plan your expenses and save operating costs thanks to optimally adjusted components.



Service packages

With the WEIMA service packages you are well provided for. Choose the scope of services yourself: From inspection and maintenance, to detailed reports and electrical safety checks. You can also secure exclusive discounts on spare and wear parts. This way, you can avoid unexpected downtimes, prevent excessive wear, and guarantee production reliability.





ORIGINAL PARTS PAY OFF TWICE!

Your investment in a machine from us should also pay off in the long term. Original parts from WEIMA help you to achieve this. With parts tailored to your product, you can shred or compress safely, reliably, and efficiently. You can rely on our worldwide logistics network – and above all on the guaranteed quality of the mechanical spare parts from German production.

We make no compromises when it comes to hydraulic and electrical components. For this reason, we only use well-known manufacturers such as Bosch Rexroth, Siemens, or Eaton Möller. Since we also produce our robust control cabinets ourselves, you benefit from particularly fast availability of electronic components.

DID YOU KNOW?

If you register your machine, you can secure a 100 € bonus and receive

100 € DISCOUNT*

on your next order of wear parts!

*The offer is valid upon successful registration, at the latest two weeks after commissioning of your machine. You can redeem the 100,- EURO within 12 months after purchasing your machine.



WEIMA Maschinenbau GmbH | weima.com

Bustadt 6-10 | 74360 Ilsfeld (Germany) | Phone: +49 (0)70 62 95 70-0 | Fax: +49 (0)70 62 95 70-92 | info@weima.com

Subject to technical changes | 01082021