

High Performance Oil Skimmer



Impeller



Speed Control



New conceptual Oil Skimmer, for efficient management of coolant

Much faster and efficient operating by speed control.
Can be used on multiple machines (Movable Stand type)



Specifications

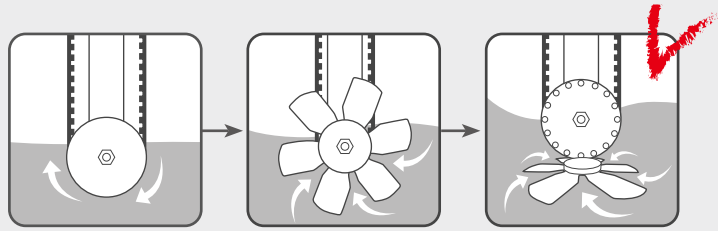
Speed Control	-	PWM
Power source	Voltage	Input : AC 100~240V
	Herz	Output : DC 3 ~ 19V 50/60Hz
Dimension (L x W x H)	mm (inch)	110 x 150 x 360[~Max.480] (4.33" x 5.91" x 14.17"[~Max.18.90"])
Weight	kgf	2.6



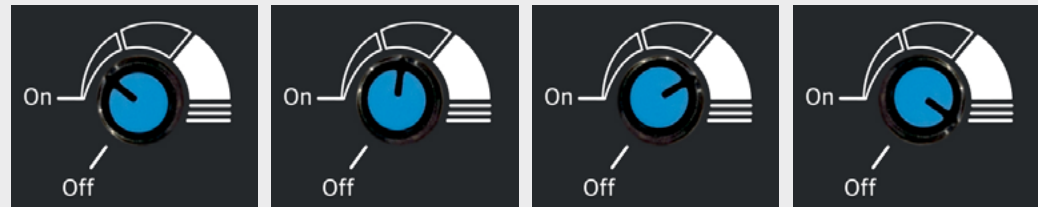


Horizontal impeller inducing vortex

Providing an excellent performance inducing vortex to pull and collect oil by impeller



Speed Control operating efficiently

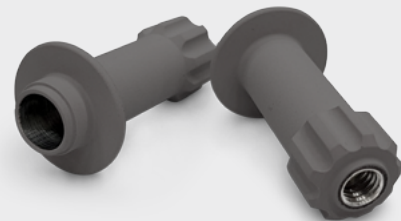


a little lubricant in tank ◀ **Recommended** ▶ lots of lubricant in tank



PEO Coating

Improving anti-corrosion



PEO coating on Top pulley

* PEO (Plasma Electrolytic Oxidation)

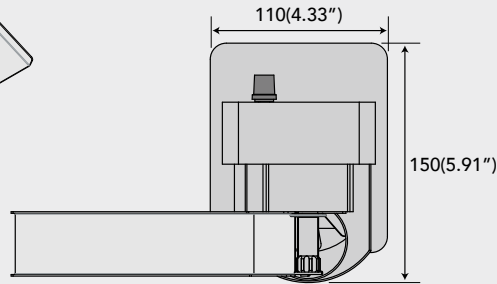
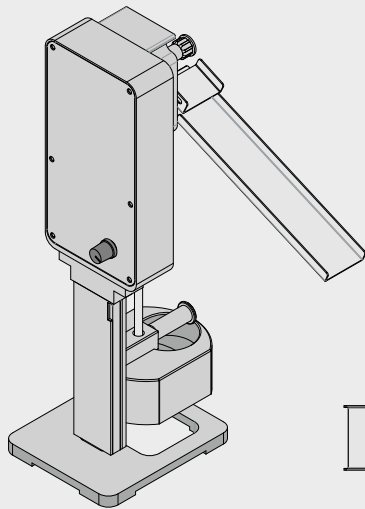
Electrochemical Surface Treatment in which surface oxidation is occurred with micro-arcs in aqueous electrolytic solution under electric potential.



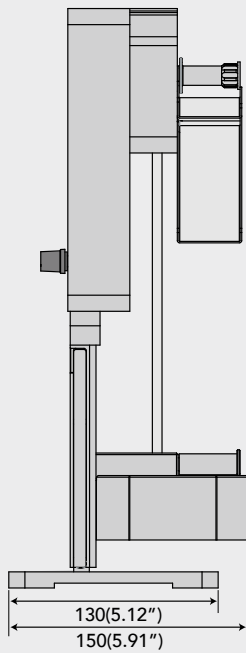
* Salt Spray Endurance Test

Product Dimensions

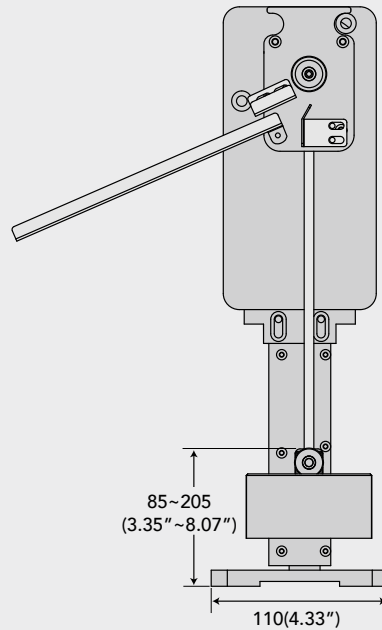
Unit : mm(inch)



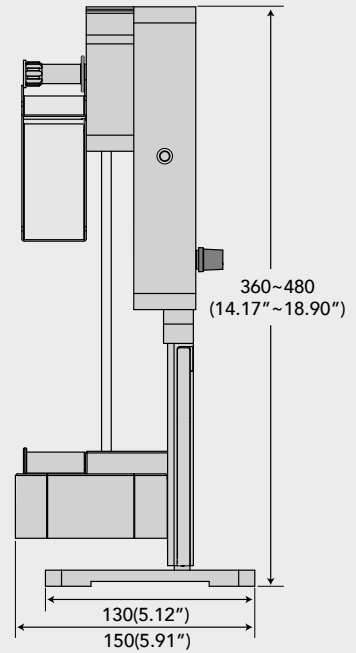
Top view



Left side view



Front view



Right side view